

PARTS LIST

TEHX-C

(MULTI HEAD)

Table of Contents

- TEHX-C GENERAL VIEW
- TEHX-C FRAMING..... AH-1
- TEHX-C TABLE..... AH-2-1
- TEHX-C AUTO SUB-TABLE LIFTER..... AH-2-2a
- TEHX-C MANUAL TABLE UP/DOWN DEVICE..... AH-2-2b
- TEHX-C MAIN SHAFT ENCODER A..... AH-3a
- TEHX-C MAIN SHAFT ENCODER B..... AH-3b
- TEHX-C BED 1..... AH-4-1
- TEHX-C BED 2..... AH-4-2
- TEHX-C COLOR CHANGE SYSTEM..... AH-5
- TEHX-C ARM 1..... AH-6-1
- TEHX-C ARM 2..... AH-6-2
- TEHX-C ARM 3..... AH-6-3
- TEHX-C NEEDLE BAR CASE 1..... AH-7-1
- TEHX-C NEEDLE BAR CASE 2..... AH-7-2
- TEHX-C FRONT COVER..... AH-8
- TEHX-C UPPER THREAD HOLDER SET..... AH-9
- TEHX-C CAM DRVE SYSTEM SET 1..... AH-10-1
- TEHX-C CAM DRVE SYSTEM SET 2..... AH-10-2
- TEHX-C X-AXIS DRVE SYSTEM 1..... AH-11-1
- TEHX-C X-AXIS DRVE SYSTEM 2..... AH-11-2
- TEHX-C Y-AXIS DRVE SYSTEM 1..... AH-12-1
- TEHX-C Y-AXIS DRVE SYSTEM 2..... AH-12-2
- TEHX-C ROTARY-TYPE TENSION BASE..... AH-13
- TEHX-C THREAD STAND A..... AH-14a
- TEHX-C THREAD STAND B (FOR 15-NEEDLE M/C)..... AH-14b
- TEHX-C BASE SASH..... AH-15
- TEHX-C BORDER FRAME..... AH-16
- TEHX-C ELECTRICAL PARTS A..... AH-17a
- TEHX-C ELECTRICAL PARTS B (FOR 2 - 6 HEAD M/C)..... AH-17b
- TEHX-C MAIN SHAFT MOTOR..... AH-18
- TEHX-C LCD OPERATION PANEL (OPTION)..... AH-19

Part Nos. of screws, nuts, washers etc. are listed at the end of volume.

[Explanation of Marks #'s and *'s at End of Part No.]

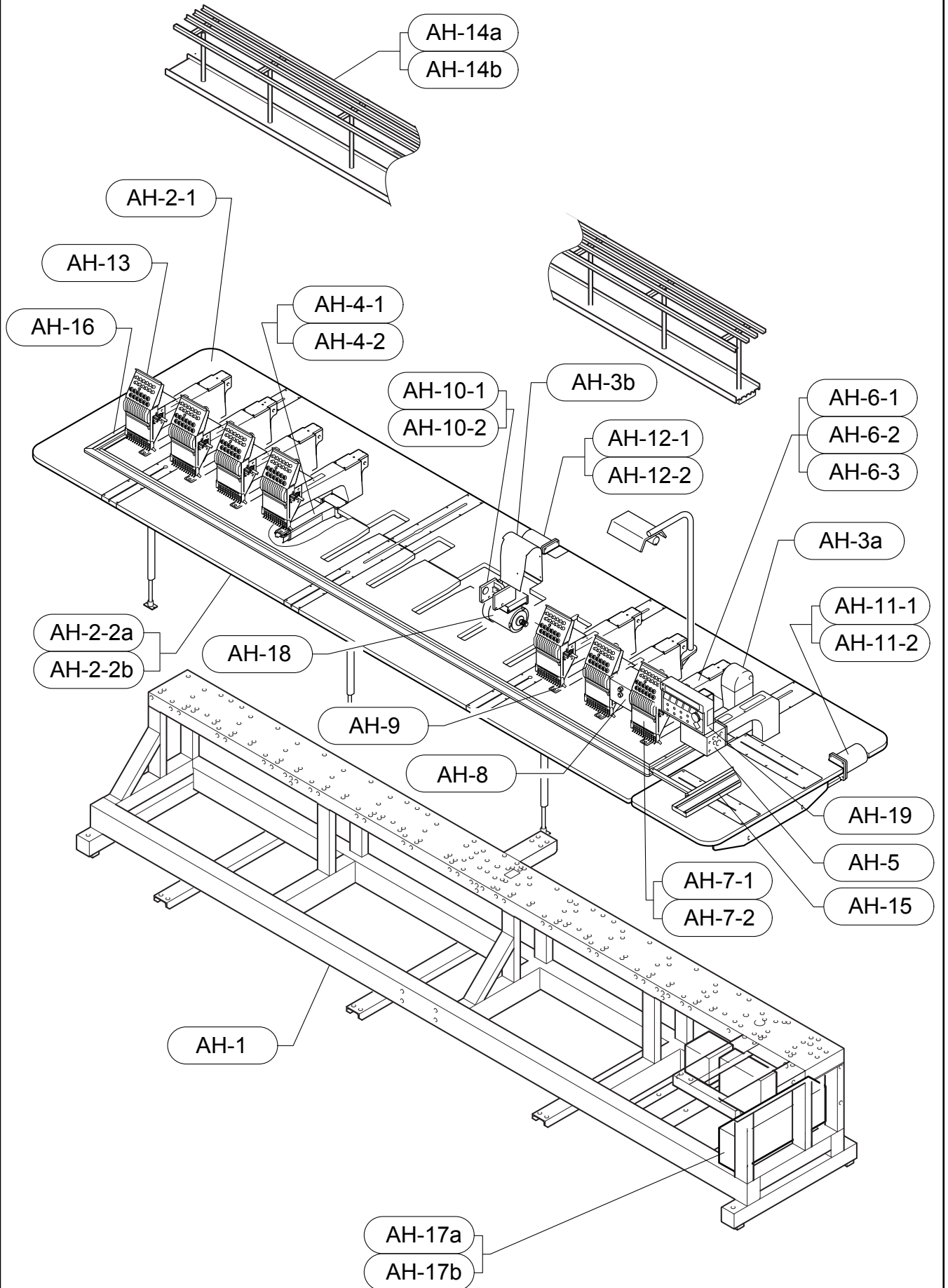
◆ Please specify, in the following manner, your machine model, manufacturing number and embroidery space when you order us with the parts having ***** at the end of the part No.:

Ex.	TEHX-C915	(360X360)S	No.01234
	[Model]	[Emb. Space]	[Mfg. No.]

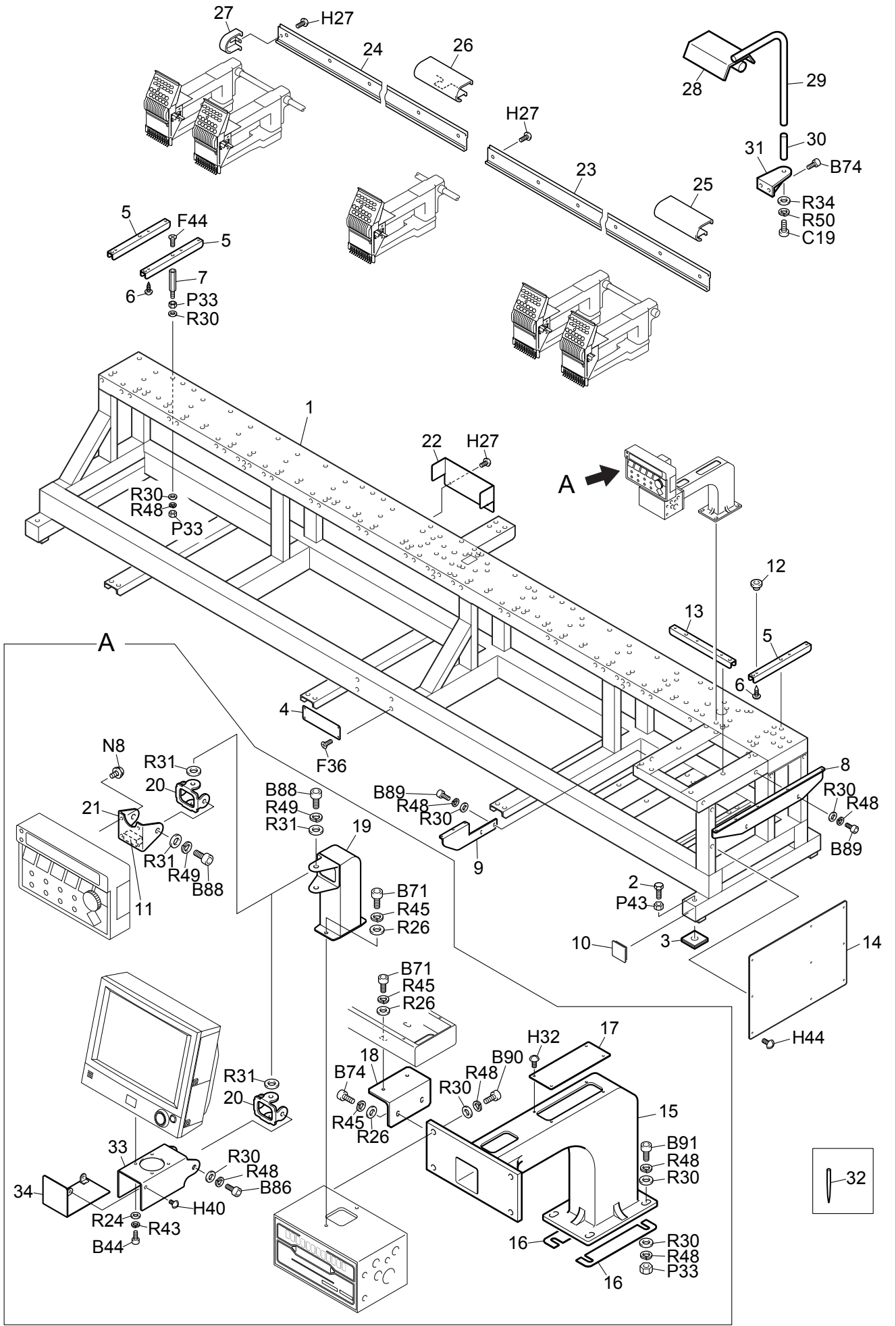
◆ Please specify the number of needles on your machine's head in your parts order by changing the marks ##### into one of the 4-digit numbers below:

Ex.	The part Number, AH012345#####	
	4-digit Numbers	Machine Type
	0300.....	3-needle machine
	0600.....	6-needle machine
	0900.....	9-needle machine
	1200.....	12-needle machine
	1500.....	15-needle machine

TEHX-C GENERAL VIEW



TEHX-C FRAMING



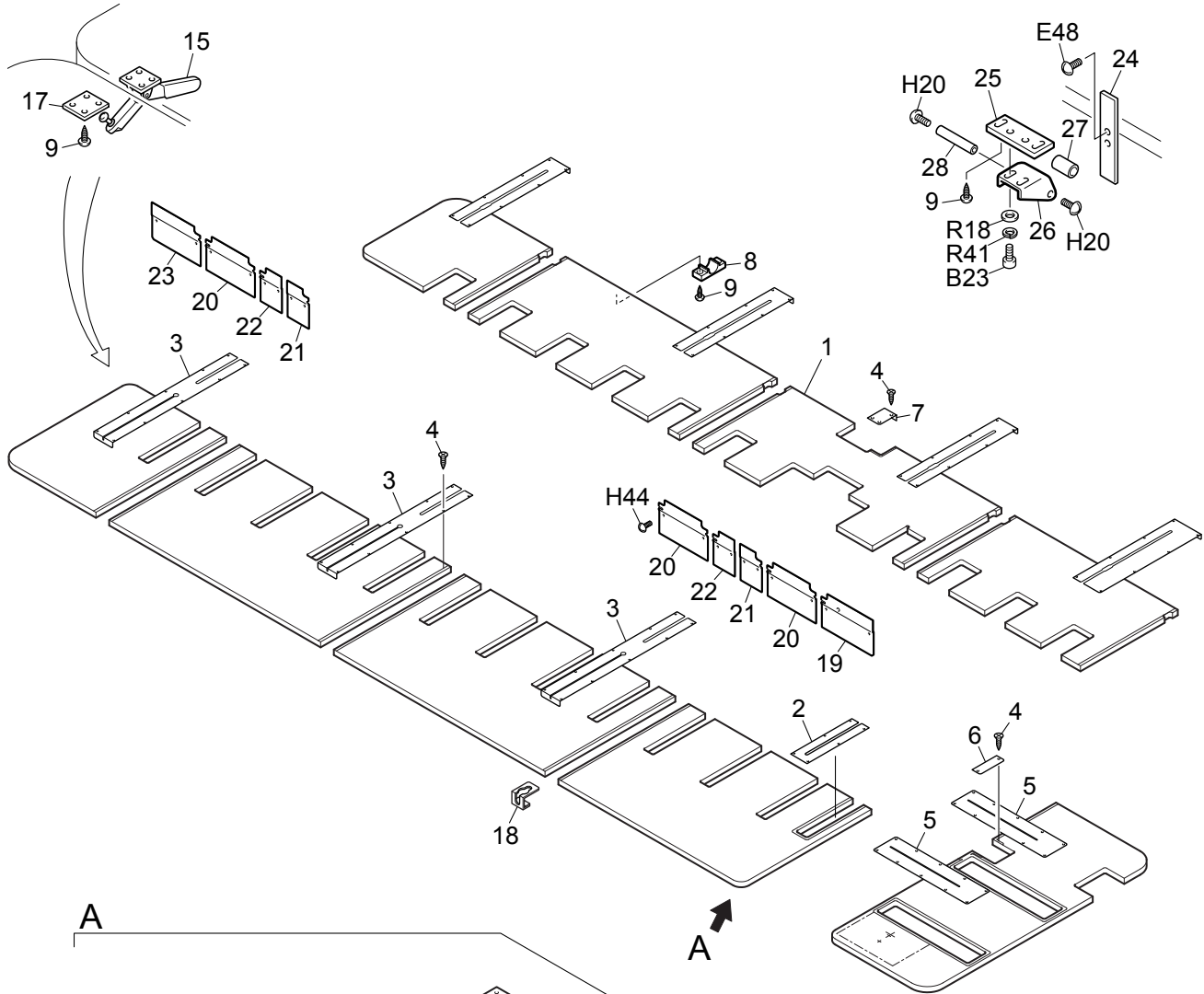
TEHX-C FRAMING

AH-1

Ref.No.	Description	Part No.	Remark
1	Stand	AH080100****	
2	Adjusting Bolt	ME0819010000	
3	Vibration-preventive Base	EF08100A0000	
4	TAJIMA Brand Name Plate	CT0825010000	
5	No.1 Table Support	CD0A25050000	
6	Round Head Wood Screw	ZZ410525CC00	5.1P*25
7	Table Support Stud	CD0A62000000	
8	No.2 Table Support	CD0A26050000	
9	No.3 Table Support	CD0A27050000	
10	Stand Cover, Lower	AH0814000000	
11	Cushion	EC0829010000	
12	Table Support Spacer	MX1099000000	
13	No.5 Table Support	CD0A5305****	
14	Stand End Face Cover	AH0813000000	
15	Change Box Attaching Bracket	CD0D0201####	
16	Bracket Spacer	CD0D0400****	
17	Change Bracket Lid	CD04030A0000	
18	Wiring Duct Bracket	EH09050A0000	
19	Controller Pipe	RD0811000000	
20	Cross Joint	RD0806000000	
21	Operation Panel Attaching Arm	EG01040A0000	
22	Stand Rear Cover	EC0856000000	Table 20t (6H/500P, 15-Needle 6H/500P. 8H/360P, 12H/500P)
22	Stand Rear Cover A	CD0A48A00000	15H/360P, 18H/360P
22	Stand Rear Cover B	CD0A48B10000	12H/360P
22	Stand Rear Cover C	CD0A48C10000	12H/500P
22	Stand Rear Cover D	CD0A48D00000	275P
22	Stand Rear Cover E	CD0A48E20000	18H/275P
22	Stand Rear Cover F	CD0A48F10000	20H/275P
23	Cover Base A	CD0A19A0****	
24	Cover Base B	CD0A19B0****	
25	Shaft Cover A	CD0A20A0****	
26	Shaft Cover C	CD0A20C0****	
27	Upper Shaft Side Cover	CD0A21010000	
28	Fluorescent Lamp	EF740100****	For Japanese Domestic Use, Export Use
29	Fluorescent Lamp Stand Pipe	EF08120A0000	
30	Fluorescent Lamp Pipe Support	EF0813000000	
31	Fluorescent Lamp Pipe Base	ME08100A0000	
32	Grounding Bar	PB000500WA00	
33	Panel Base	RD0802000000	For LCD Spec. M/C
34	Base Cover	RD0805000000	For LCD Spec. M/C
35			
36			
37			
38			
39			
40			
41			
42			
43			
44			

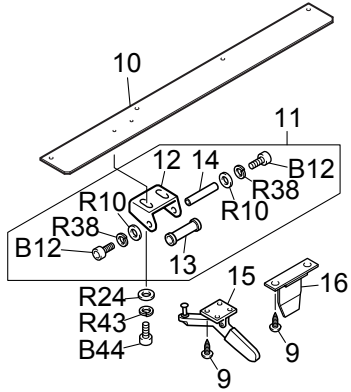
Note: As for parts with marks # or *, please follow our instructions on Table of Contents in your parts order.

(EE10)



A

A



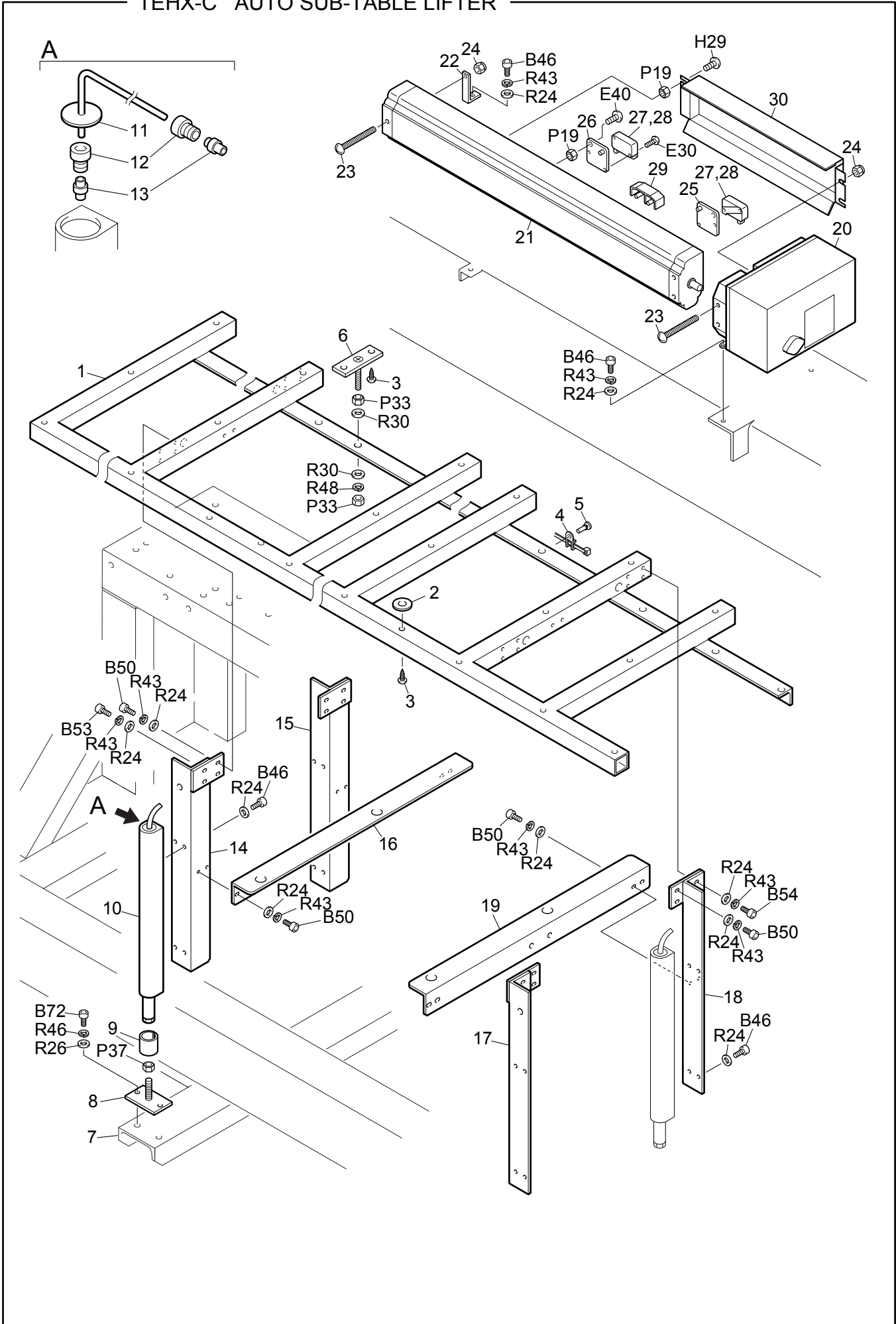
TEHX-C TABLE

AH-2-1

Ref.No.	Description	Part No.	Remark
1	Table	AH083100****	
2	No.1 Table Lid A	AH0832A00000	
3	No.1 Table Lid B	CD0A07B10000	
4	Countersunk Head Wood Screw	ZZ110312SD00	3.1P*12
4	Countersunk Head Wood Screw	ZZ110316SD00	3.1P*16
5	No.2 Table Lid	CD0A0800****	
6	Table Lid C	CD0A07C00000	
7	Joint Cover	ED0815000000	
8	Driver Shaft Stopper	ED0704010000	For 15mm Dia. Shaft
9	Round Head Wood Screw	ZZ410420CC00	4.5P*20
10	Table Stopper	CD0A30020000	
11	Shaft Holder Set	FC073302S100	
12	Shaft Holder	FC0733020000	
13	Roller	FC0734010000	
14	Roller Pin	FC0735000000	
15	Toggle Clamp B	BPGY10010000	
16	Anti-vibration Plate	XC0526010000	
17	Clamp Rivet Plate	CM0816000000	
18	Bearing Stopper	FC0A06000000	
19	Stand Front Cover A	AH0816A0****	
19	Stand Front Cover A	AH0821A0****	For Table Thickness t20
20	Stand Front Cover B	CD0A29B3****	
20	Stand Front Cover B	AH0821B0****	For Table Thickness t20
21	Stand Front Cover C	CD0A29C2****	
21	Stand Front Cover C	AH0821C0****	For Table Thickness t20
22	Stand Front Cover D	CD0A29D3****	
22	Stand Front Cover D	AH0821D0****	For Table Thickness t20
23	Stand Front Cover E	CD0A29E2****	
23	Stand Front Cover E	AH0821E0****	For Table Thickness t20
24	Table Guide Plate	CD0A31010000	
25	Distortion Preventive Base	CD0A64000000	
26	Shaft Holder	EF0720020000	
27	Roller	EF0722000000	
28	Roller Pin	EF0723010000	
29			
30			
31			
32			
33			
34			
35			
36			
37			
38			
39			
40			
41			
42			
43			
44			

Note: As for parts with marks # or *, please follow our instructions on Table of Contents in your parts order.

(EE10)

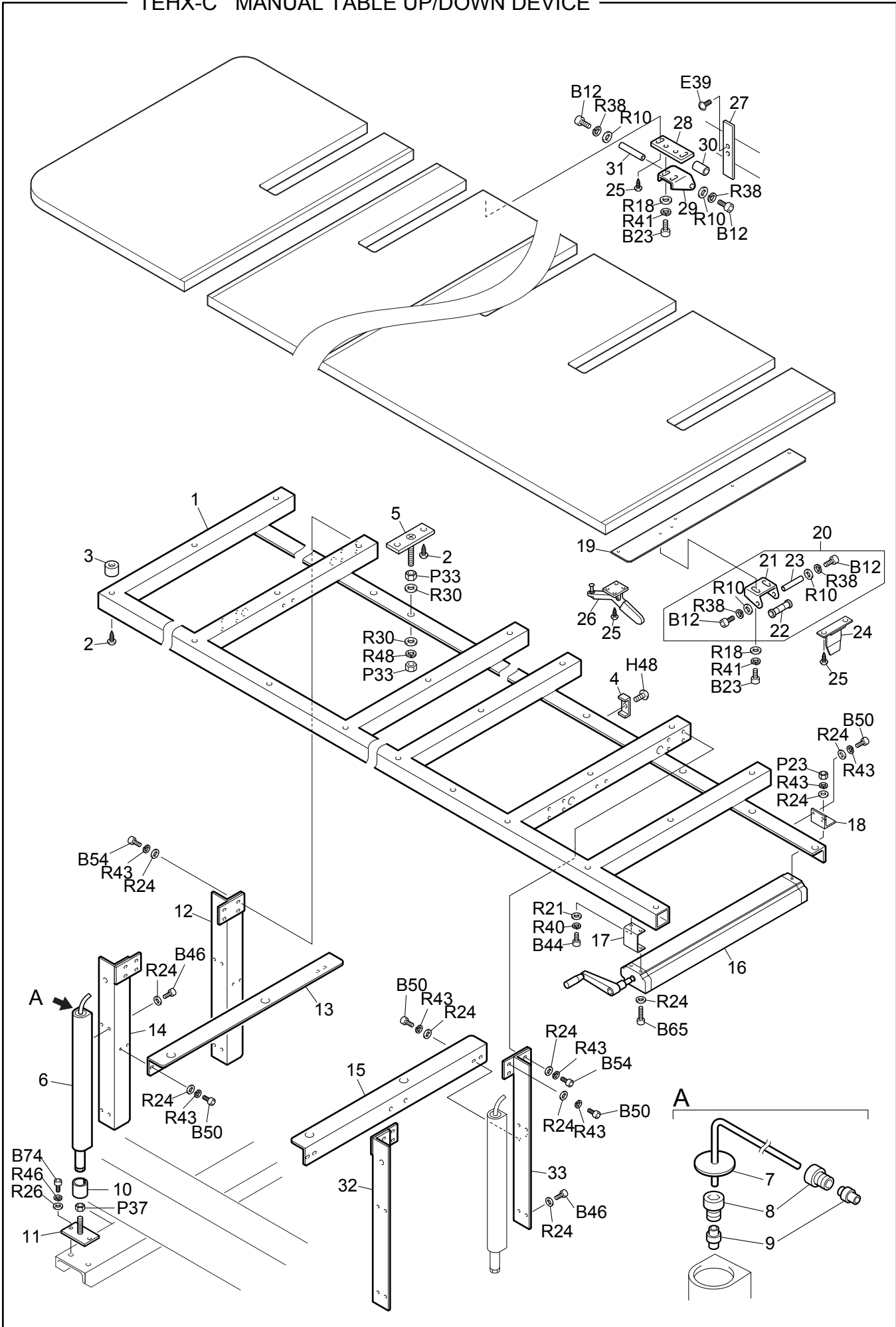


TEHX-C AUTO SUB-TABLE LIFTER

AH-2-2a

Ref.No.	Description	Part No.	Remark
1	Table Attaching Base	AH081900****	
2	Table Support Spacer	MX1099000000	
3	Round Head Wood Screw	ZZ410525CC00	5.1P*25
4	Nylon Rivet	BPTA1S8M0000	
5	Nylon Rivet Pin	BPP4100B0000	
6	Front Table Holder Bolt	FC0530000000	
7	Cylinder Holder A	CD0A15A00000	
8	Cylinder Adjusting Bolt	XC05040A0000	
9	Bolt Cover	XC0525000000	
10	Hydraulic Cylinder	BP1312020000	
11	HD Pipe	BPMO46251000	For 4 Cylinder Spec.
11	HD Pipe	BPMO66251000	For 6 Cylinder Spec.
12	Connecting Screw	BP1315080000	
13	Clamping Ring	BP1315100000	
14	Cylinder Support D	AH0812D00000	
15	Cylinder Support B	AH0812B00000	
16	Cylinder Joint L	CD0A18L00000	
17	Cylinder Support C	AH0812C00000	
18	Cylinder Support A	AH0812A00000	
19	Cylinder Joint R	CD0A18R00000	
20	Auto Sub Table Motor Unit	CD7800000000	
21	Pump	BP1312010000	For 4 Cylinder Spec.
21	Pump	BP1312030000	For 6 Cylinder Spec.
22	Pump Attaching Bracket	DC0865000000	
23	Special Screw	DC0867000000	
24	Hexagon Nut	DC0868000000	
25	Limit Switch Plate (DOWN)	DC0863A00000	
26	Limit Switch Plate (UP)	DC0864B00000	
27	Limit Switch	PB001000SP00	
28	Actuator	MS6602000000	
29	Bushing Insert	DC0866000000	
30	Pump Cover	DC0862000000	
31			
32			
33			
34			
35			
36			
37			
38			
39			
40			
41			
42			
43			
44			
45			
46			
47			
48			

Note: As for parts with marks # or *, please follow our instructions on Table of Contents in your parts order.

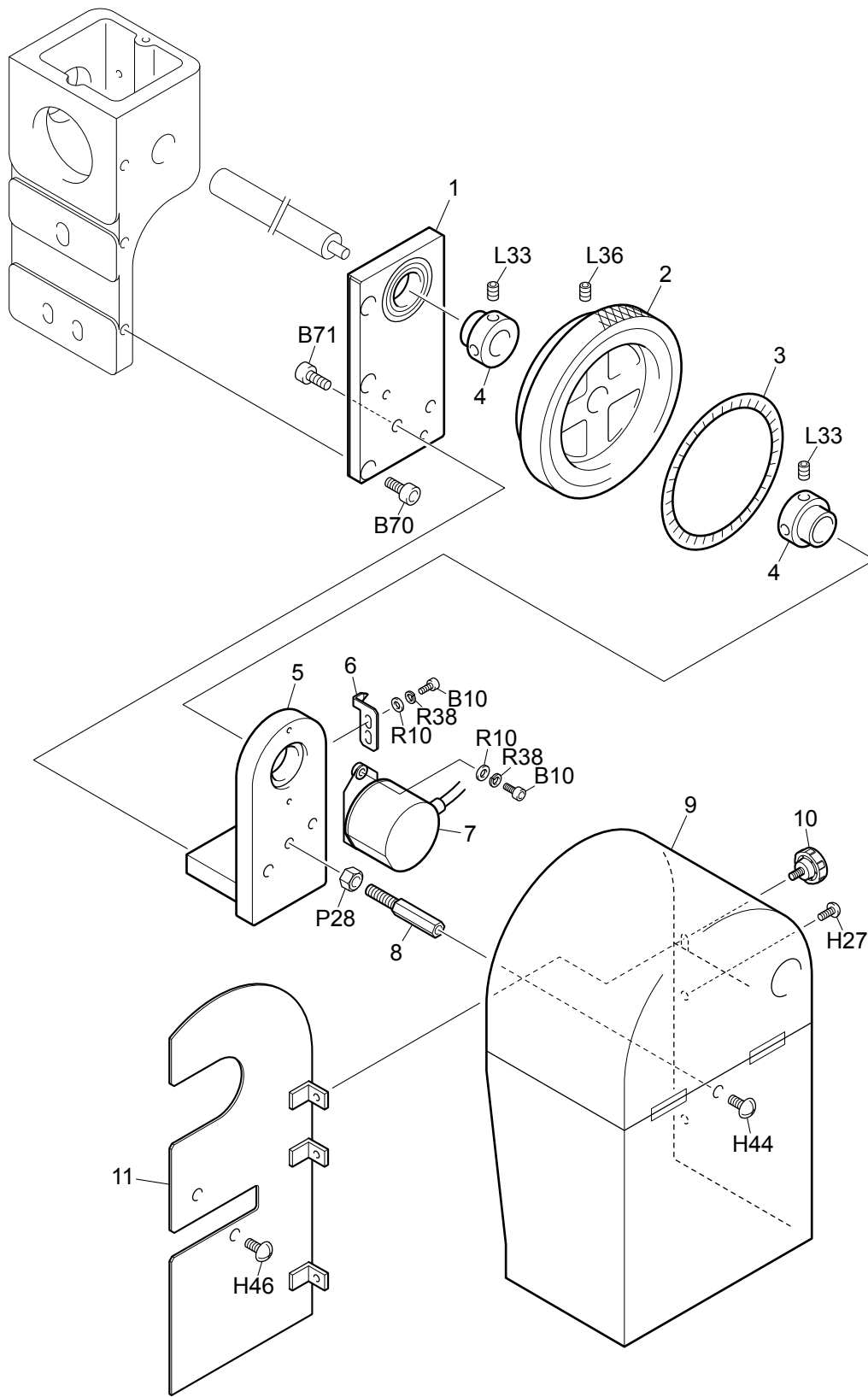


TEHX-C MANUAL TABLE UP/DOWN DEVICE AH-2-2b

Ref.No.	Description	Part No.	Remark
1	Table Attaching Base	AH081900****	
2	Round Head Wood Screw	ZZ410525CC00	5.1P*25
3	Table Support Spacer	DX1005000000	
4	Pipe Clamp	XC05080A0000	
5	Front Table Holder Bolt	GC0504000000	
6	Hydraulic Cylinder	BP1312020000	
7	HD Pipe	BPMO46251000	
8	Connecting Screw	BP1315080000	
9	Clamping Ring	BP1315100000	
10	Bolt Cover	XC0525000000	
11	Cylinder Adjusting Bolt	XC05040A0000	
12	Cylinder Support B	AH0812B00000	
13	Cylinder Joint L	CD0A18L00000	
14	Cylinder Support D	AH0812D00000	
15	Cylinder Joint R	CD0A18R00000	
16	Manual Pump	BP1312011000	
17	Pump Bracket A	GC0502010000	
18	Pump Bracket B	AH0820000000	
19	Table Stopper	AH0818000000	
20	Shaft Holder Set	FC073302S100	
21	Shaft Holder	FC0733020000	
22	Roller	FC0734010000	
23	Roller Pin	FC0735000000	
24	Anti-vibration Plate	XC0526010000	
25	Round Head Wood Screw	ZZ410420CC00	4.5P*20
26	Toggle Clamp B	BPGY10010000	
27	Table Guide Plate	AH0823000000	
28	Distortion Preventive Base	FC0711000000	
29	Shaft Holder	EF0720020000	
30	Roller	EF0722000000	
31	Roller Pin	EF0723010000	
32	Cylinder Support C	AH0812C00000	
33	Cylinder Support A	AH0812A00000	
34			
35			
36			
37			
38			
39			
40			
41			
42			
43			
44			
45			
46			
47			
48			
49			
50			

Note: As for parts with marks # or *, please follow our instructions on Table of Contents in your parts order.

(EE07)



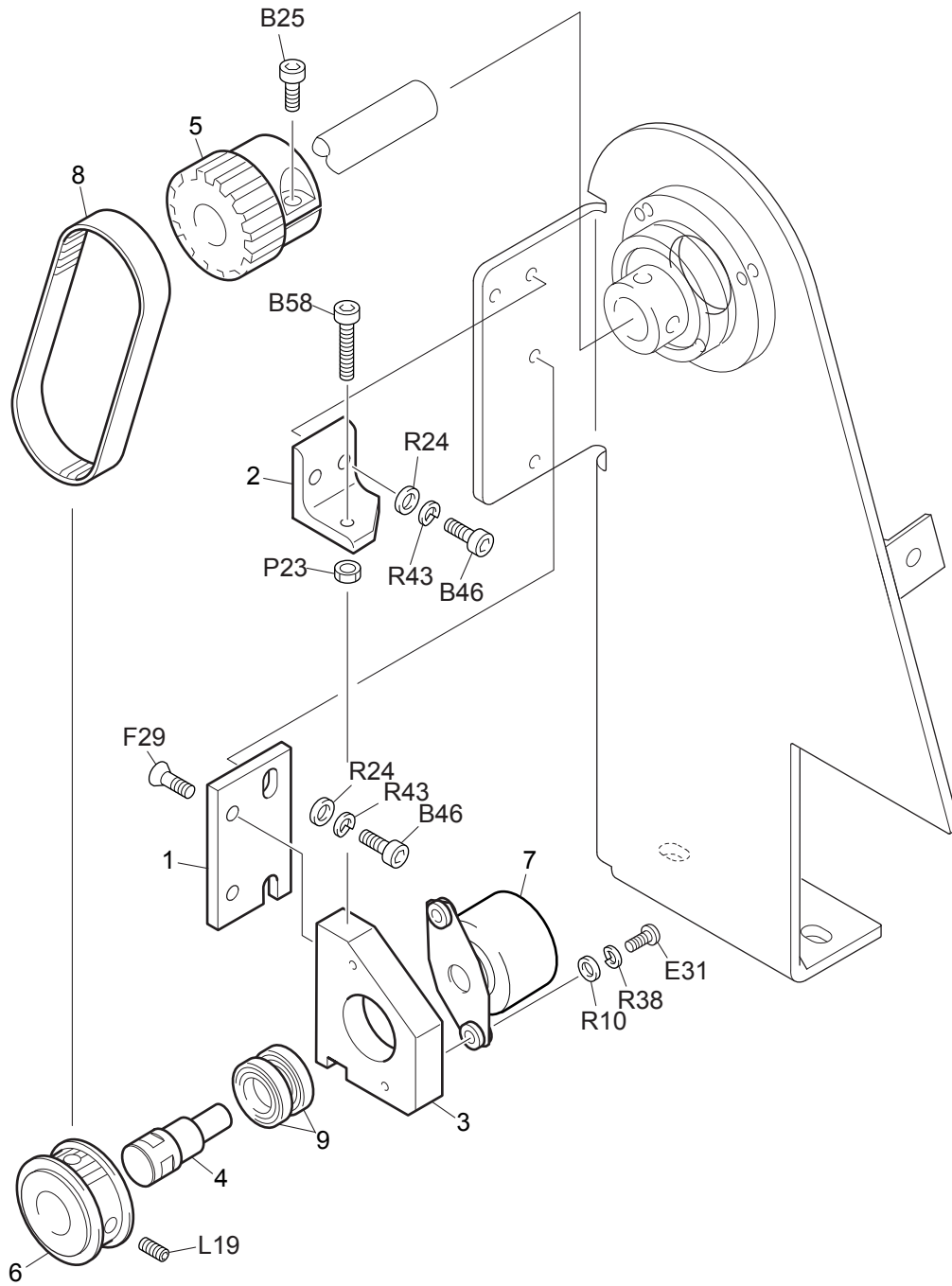
TEHX-C MAIN SHAFT ENCODER A

AH-3a

Ref.No.	Description	Part No.	Remark
1	Bearing Case Plate	CD0A43010000	
2	Angle Indicator Plate Pulley	CD0A35010000	
3	Angle Indicator Plate	AH0811000000	
4	Bearing Bushing	ME0203000000	
5	Bearing Case Arm	CD0A32010000	
6	Angle Pointer	CD0A33020000	
7	Rotary Encoder	EF6600A00000	
8	Pulley Cover Stud	ME0205000000	
9	Angle Indicator Plate Cover A	CD0A40A20000	
10	Knurled Screw	EF0306000000	
11	Angle Indicator Plate Cover B	CD0A40B10000	
12			
13			
14			
15			
16			
17			
18			
19			
20			
21			
22			
23			
24			
25			
26			
27			
28			
29			
30			
31			
32			
33			
34			
35			
36			
37			
38			
39			
40			
41			
42			
43			
44			
45			
46			
47			
48			
49			
50			

Note: As for parts with marks # or *, please follow our instructions on Table of Contents in your parts order.

(EE07)



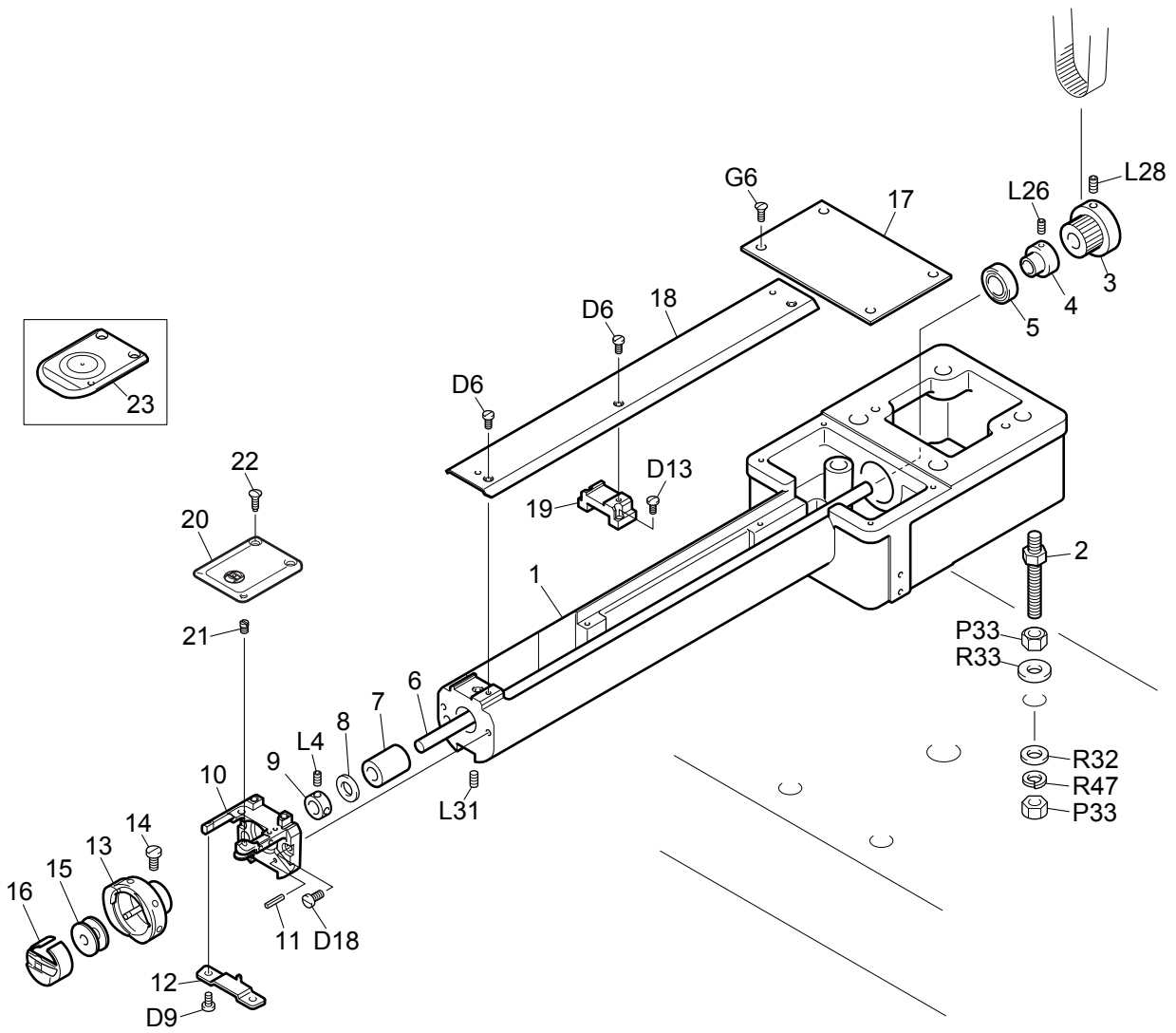
TEHX-C MAIN SHAFT ENCODER B

AH-3b

Ref.No.	Description	Part No.	Remark
1	Encoder Attaching Base A	AH0824000000	
2	Tension Base	AH0828000000	
3	Encoder Attaching Base B	GN0102000000	
4	Pin No.723	GN0103000000	
5	Pulley A	GN0105000000	
6	Pulley B	GN0106000000	
7	Rotary Encoder	EF6600A00000	
8	Timing Belt	BPS5M1026000	
9	Ball Bearing	BP6901ZZ0000	
10			
11			
12			
13			
14			
15			
16			
17			
18			
19			
20			
21			
22			
23			
24			
25			
26			
27			
28			
29			
30			
31			
32			
33			
34			
35			
36			
37			
38			
39			
40			
41			
42			
43			
44			
45			
46			
47			
48			
49			
50			

Note: As for parts with marks # or *, please follow our instructions on Table of Contents in your parts order.

(EE07)

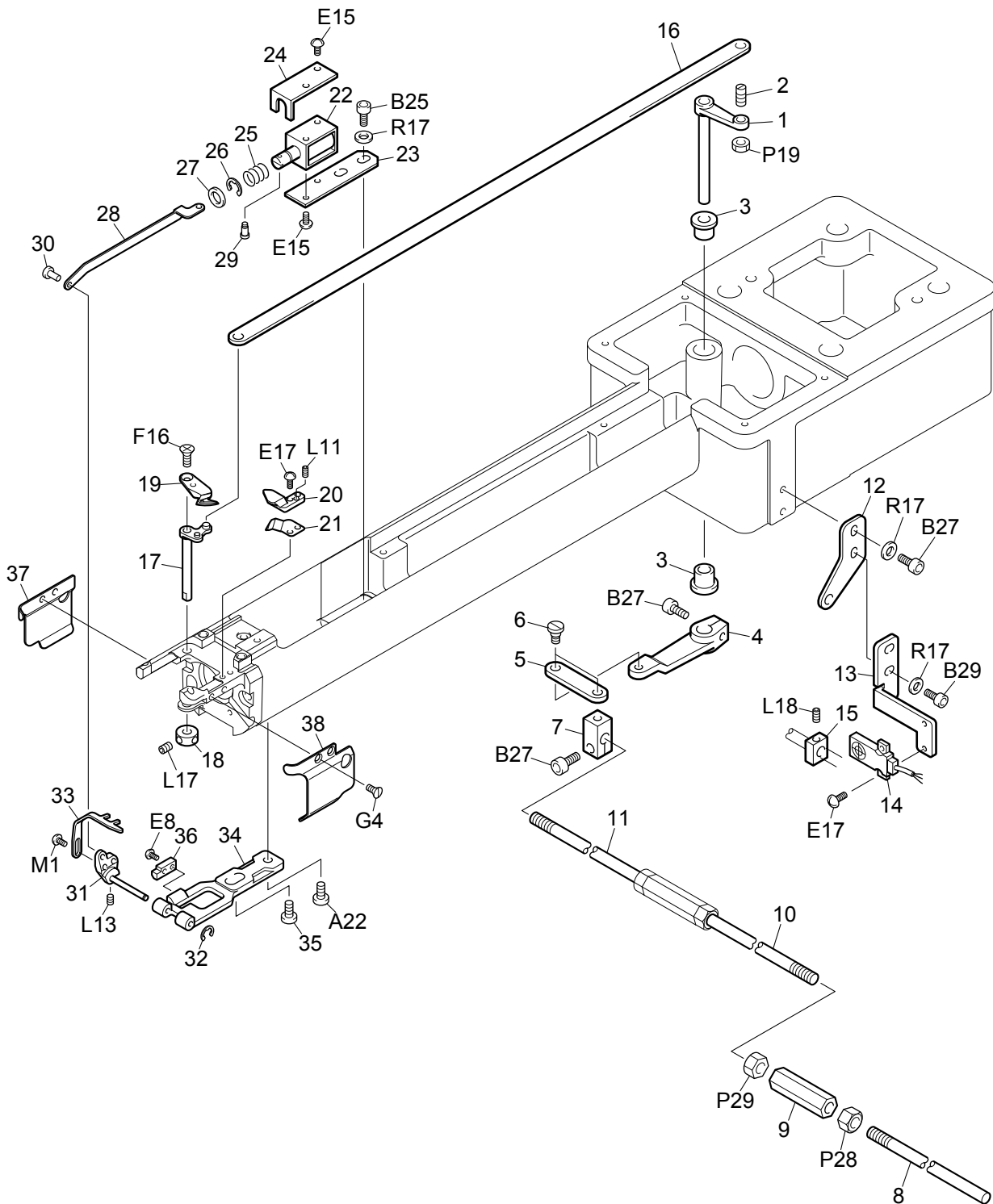


TEHX-C BED 1

AH-4-1

Ref.No.	Description	Part No.	Remark
1	Arm Bed	AH0201000000	
1	Arm Bed	AHC201000000	For Jumbo Rotary Hook
2	Rotary Hook Base Stud	CD0A63000000	
3	Lower Shaft Pulley	EC0C12010000	
4	Bearing Collar A	EC0C11000000	
5	Ball Bearing	BP6201ZZ0000	
6	Lower Shaft	EC0C13000000	
7	Rotary Hook Shaft Bushing B	EF0206B00000	
8	Rotary Hook Shaft Spacer	EF0211000000	
9	7.94mm Dia. Collar	EF0209000000	
10	Needle Plate Bracket	AH0203000000	
11	Spring Pin	BPSP03120000	3P*12
12	Rotary Hook Support	FC0224000000	
13	Rotary Hook	ME0505E2****	
13	Rotary Hook	MEC505E2****	For Jumbo Rotary Hook
14	Rotary Hook Set Screw	ME0506000000	
15	Bobbin	ME050402****	
15	Bobbin	MEC504010DBM	For Jumbo Rotary Hook
16	Bobbin Case	ME050300****	
16	Bobbin Case	MEC503000DBM	For Jumbo Rotary Hook
17	Bed Cover A	EC0C09020000	
18	Bed Cover	C90524000000	
19	Bed Cover Stud A	C90543010000	
20	Needle Plate	AH0204010000	
21	Positioning Pin	FC0A02000000	
22	Round Countersunk Head Screw	EG0228000000	
23	Needle Plate	AH0205000000	Option
24			
25			
26			
27			
28			
29			
30			
31			
32			
33			
34			
35			
36			
37			
38			
39			
40			
41			
42			
43			
44			
45			
46			

Note: As for parts with marks # or *, please follow our instructions on Table of Contents in your parts order.

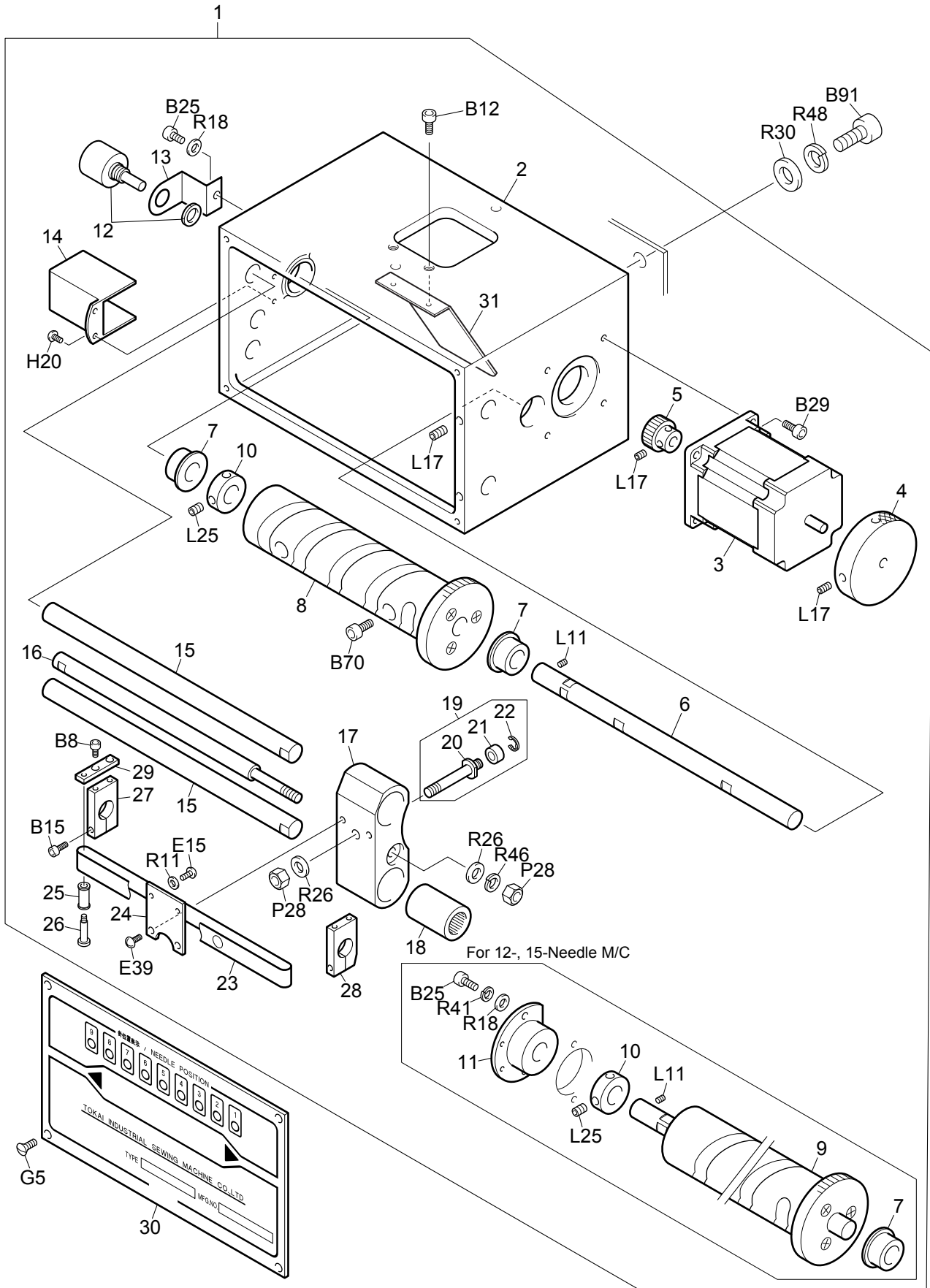


TEHX-C BED 2

AH-4-2

Ref.No.	Description	Part No.	Remark
1	Thread Trimming Lever	FC0217000000	
2	Thread Trimming Lever Pin	FC0211000000	
3	Oiled Bearing	BPF812121620	
4	Drive Arm	FC0213000000	
5	Knife Connecting Lever	AT0207000000	
6	Connecting Lever Pin	AT0206000000	
7	Connecting Stud	AT0208000000	
8	Thread Trimming Shaft A	CD0A51A1****	
9	M6 Joint	EF0827010000	
10	Thread Trimming Shaft B	CD0A51B1****	
11	Thread Trimming Shaft C	CD0A51C0****	
12	Connecting Shaft Holder	CD0C07000000	
13	Sensor Bracket	AH0208010000	
14	Proximity Switch	PB001300KN00	
15	Searching Block	FX0217000000	
16	Knife Connecting Plate	EC0C01000000	
17	Movable Knife Drive Arm	C90518000000	
18	5mm Dia. Collar	C90514000000	
19	Movable Knife	AC0516000000	
20	Fixed Knife	AC0517000000	
21	Under Thread Presser	AC0518000000	
22	Picker Solenoid	AT6806C10000	
23	Picker Solenoid Base	C90523000000	
24	Solenoid Cover	FC0226000000	
25	Compressed Spring	EG0218000000	
26	E-ring	BPE400000000	
27	Needle Bar O-Ring	EF0621000000	
28	Connecting Plate	C90519000000	
29	Solenoid Pin	EG0252000000	
30	Connecting Pin	AC0205000000	
31	Picker Base	C90516010000	
32	E-ring	BPE200000000	
33	Picker	C90517010000	
34	Picker Bracket	C90544000000	
35	Flat Fillister Head Screw	AC0208000000	
36	Picker Stopper	C90515000000	
37	Rotary Hook Base Cover L	C90545L00000	
38	Rotary Hook Base Cover R	C90545R00000	
39			
40			
41			
42			
43			
44			
45			
46			
47			
48			
49			
50			

Note: As for parts with marks # or *, please follow our instructions on Table of Contents in your parts order.



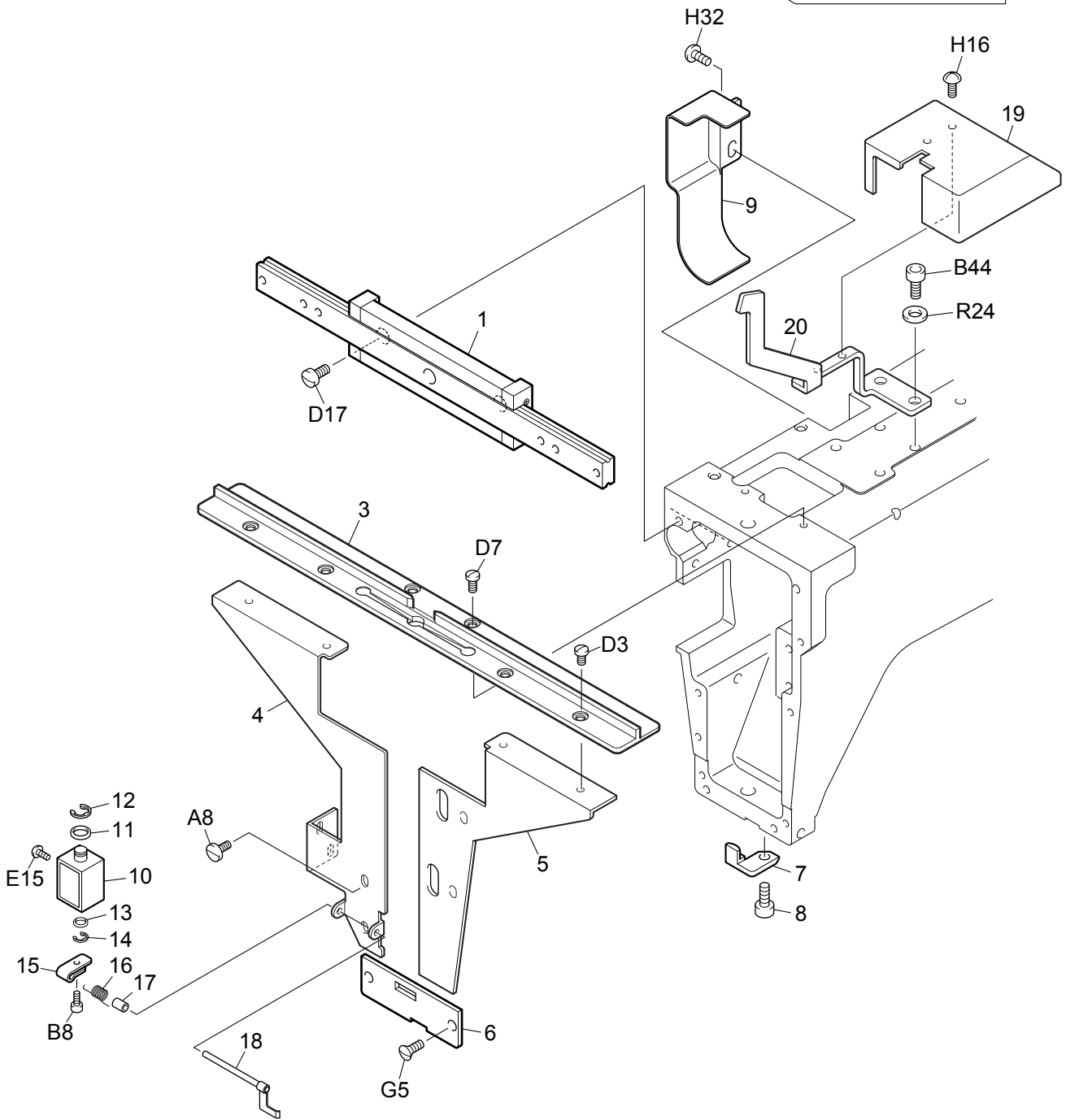
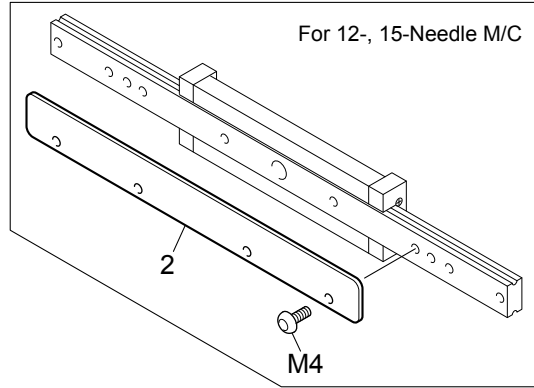
TEHX-C COLOR CHANGE SYSTEM

AH-5

Ref.No.	Description	Part No.	Remark
1	Color Change System Assembly	UN09002A****	
2	Color Change Box	EC031200####	
3	Pulse (Stepping) Motor	JX6403000000	
4	Manual Handle	CT0209000000	
5	18T Motor Gear	CT0204000000	
6	Cam Shaft	CT020301####	
7	Cam Shaft Bushing	EF0407000000	
8	Color Change Cam Set	CT020201####	
9	Color Change Cam Set	CT0202011200	For 12-Needle M/C
9	Color Change Cam Set	CT0202011500	For 15-Needle M/C
10	12mm Dia. Collar	TQ0323000000	
11	Cam Shaft Bushing	HX0401000000	
12	Potentiometer	PB000100RV00	
13	Sensor Base	CX0401000000	
14	Potentiometer Cover	HX0403000000	
15	Guide Shaft	CT020600####	
16	Slide Shaft	CD0D0300####	
16	Slide Shaft	CT0205001500	For 15-Needle M/C
17	Slide Boss	EF0402010000	
18	Slide Bearing	BPLME1222322	
19	Cam Roller Set	EF0404S00000	
20	Cam Pin	EF0403000000	
21	Cam Roller	EF0404000000	
22	E-ring	BPE300000000	
23	Needle Position Indicating Belt	CT020800####	
24	Belt Joint Plate	EF0429000000	
25	Roller	EF0425000000	
26	Roller Pin	EF0428000000	
27	Base Split Collar	EF0430000000	
28	Color Change Split Color	CT0207000000	
29	Roller Base	EF0427000000	
30	Model Name Plate	AH040100****	
31	Wiring Guard	EC0314000000	
32			
33			
34			
35			
36			
37			
38			
39			
40			
41			
42			
43			
44			
45			
46			
47			
48			

Note: As for parts with marks # or *, please follow our instructions on Table of Contents in your parts order.

(EE07)

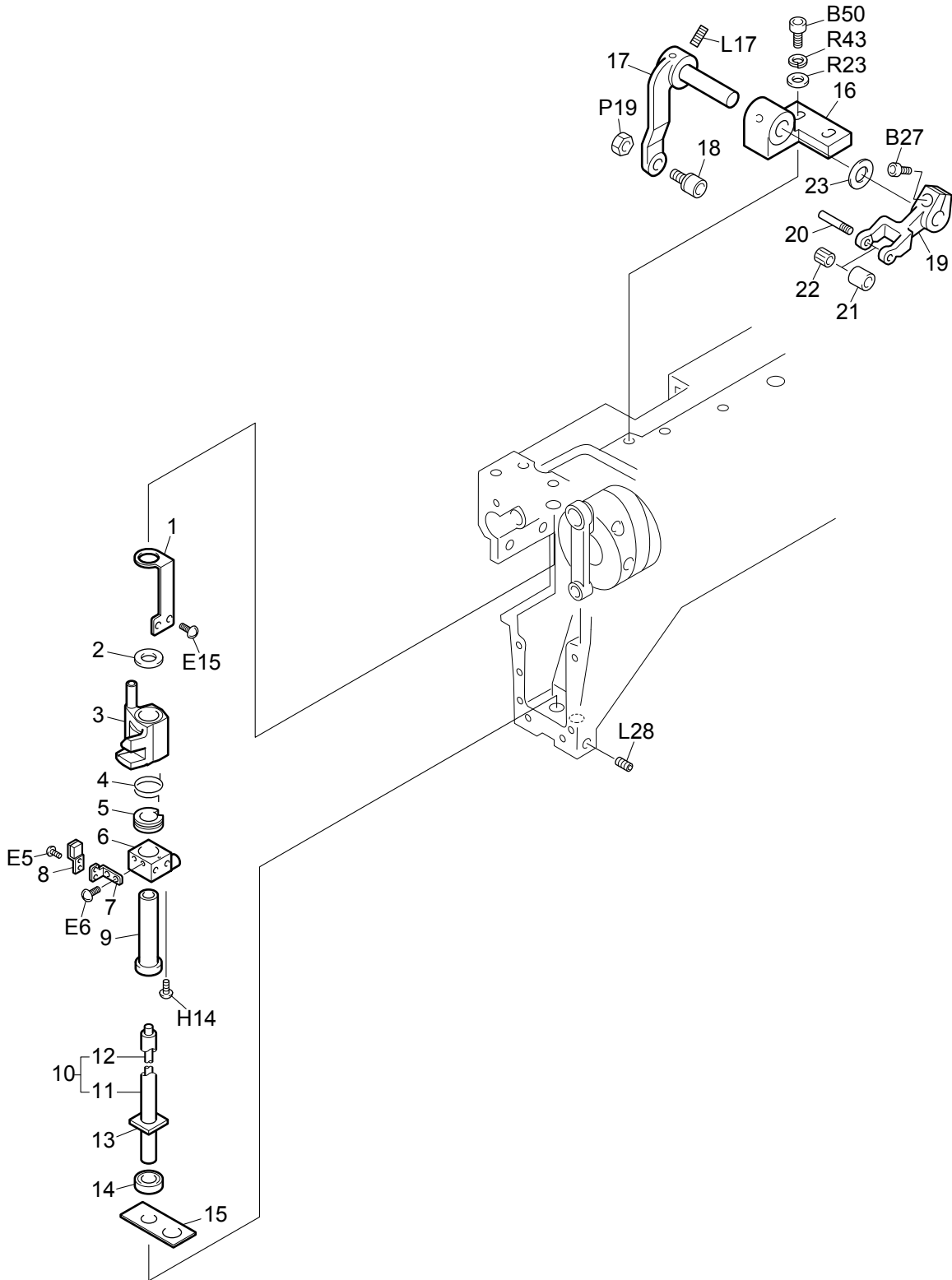


TEHX-C ARM 1

AH-6-1

Ref.No.	Description	Part No.	Remark
1	Case Linear	CD0E1801####	
2	Reinforcing Plate	FX056900####	
3	Take-up Lever Guide Rail	CL059200****	Note:
4	Arm Front Cover L	AH050200####	
5	Arm Front Cover R	CD0E20R0####	
6	Arm Guide Plate	EC0A53000000	
7	Positioning Plate	EC0A14000000	
8	Hexagon Socket Head Cap Screw	EG0219000000	
9	Arm Side Cover	EC0A24010000	
10	Upper Thread Locking Solenoid	FG6801000000	
11	O-Ring	BPS700000000	
12	E-ring	BPE400000000	
13	O-Ring	BPSS01800000	
14	E-ring	BPE015000000	
15	Contact Point Lever	FN0524000000	
16	Return Spring	FN0526000000	
17	Spring Holder Collar	FN0525000000	
18	Drive Lever	FN0527000000	
19	Take-up Lever Drive Gear Cover	AH0504000000	
20	Sensor Arm	AH0503000000	
21			
22			Note: When ordering this part, please also
23			specify for which head (the 1st head,
24			the last head or other than these heads)
25			it is used.
26			
27			
28			
29			
30			
31			
32			
33			
34			
35			
36			
37			
38			
39			
40			
41			
42			
43			
44			
45			
46			
47			
48			
49			
50			

Note: As for parts with marks # or *, please follow our instructions on Table of Contents in your parts order.

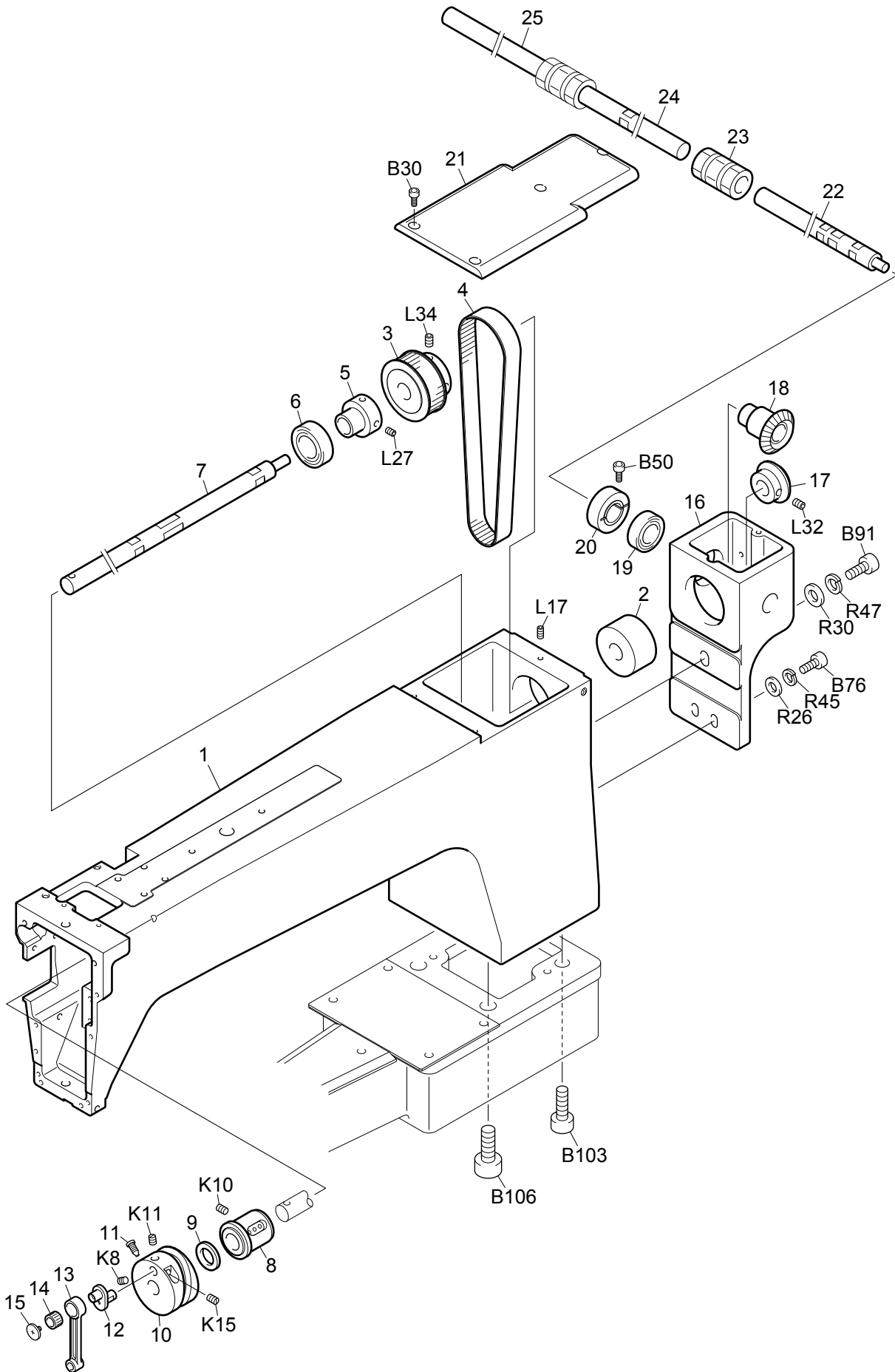


TEHX-C ARM 2

AH-6-2

Ref.No.	Description	Part No.	Remark
1	Bushing Holder	EC0A06000000	
2	Needle Bar Reciprocator Spacer	EF0554000000	
3	Needle Bar Reciprocator	AH0506000000	
4	Return Spring	EC0A09000000	
5	Spring Cradle	FX0564000000	
6	Reciprocator Slide Block	EC0509000000	
7	Stopper Base	EC0A07000000	
8	Stopper Base	FX0519000000	
9	Bearing Case Bushing	EC0A05000000	
10	Needle Bar Drive Shaft Set	UN2501102000	
11	Needle Bar Drive Shaft	FX0522030000	
12	Needle Bar Drive Shaft Wick	EG0536000000	
13	Needle Bar Drive Shaft Felt	EF0550000000	
14	Bearing Case Collar	ME0555000000	
15	Oil Fencing Felt	EC0A54000000	
16	Take-up Lever Bearing Case	EC0A36000000	
17	Take-up Lever Drive Lever (with Arm Pin)	EC0A460S0000	
18	Cam Roller Set	ME0534S00000	
19	Take-up Lever Drive Lever B	EC0A48010000	
20	Roller Pin	CL0577000000	
21	8mm Dia. Roller	CL0578000000	
22	Needle Cage	BPKT367N0000	
23	Adjusting Washer	EC0A56A00000	0.2mm Thick
23	Adjusting Washer	EC0A56B00000	0.3mm Thick
24			
25			
26			
27			
28			
29			
30			
31			
32			
33			
34			
35			
36			
37			
38			
39			
40			
41			
42			
43			
44			
45			
46			
47			
48			
49			

Note: As for parts with marks # or *, please follow our instructions on Table of Contents in your parts order.



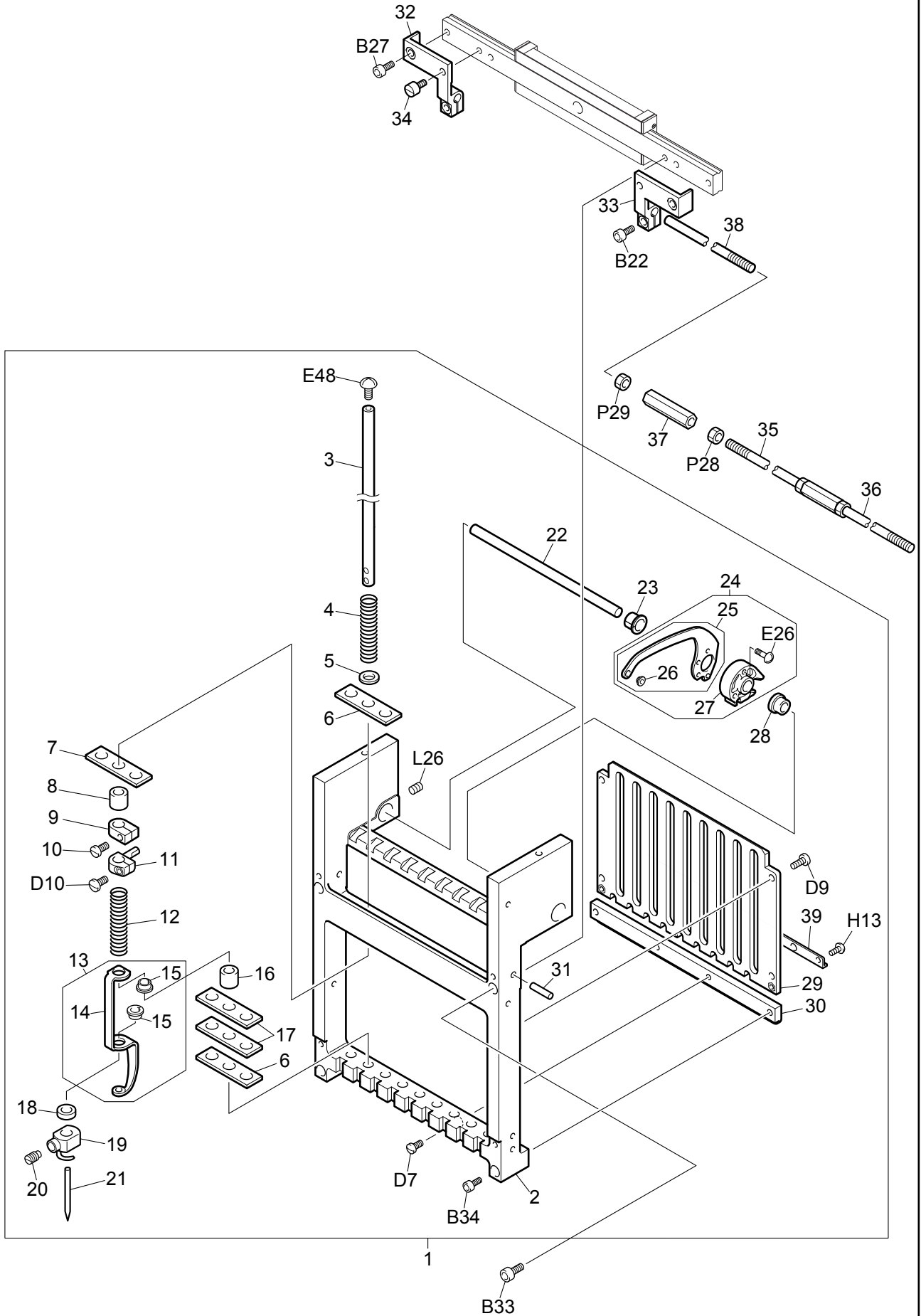
TEHX-C ARM 3

AH-6-3

Ref.No.	Description	Part No.	Remark
1	Arm	AH050100****	
2	Upper Shaft Bushing, Rear	EC0A37000000	
3	Upper Shaft Pulley	EC0A40010000	
4	Timing Belt	BP150S5M525G	
4	Timing Belt	BP150S5M530G	For Jumbo Rotary Hook
5	Bearing Collar B	EC0A45000000	
6	Ball Bearing	BP6004ZZ0000	
7	Upper Shaft	CD0E02010000	
8	Upper Shaft Bushing, Front	ME0523010000	
9	Quenched Spacer	ME0525000000	t3.0
10	Take-up Lever Drive Cam	AH0570000000	
10	Take-up Lever Drive Cam	ECCA47000000	For Jumbo Rotary Hook
11	Cam Set Screw	ME0560000000	
12	90-degree Crank	ME0571000000	
13	Connecting Rod	ME0528020000	
14	Needle Cage	BPN79A048000	
15	Right Countersunk Head Screw	ME0572000000	
16	Shaft Holder Box A	CD0E01A10000	
16	Shaft Holder Box B	CD0E01B10000	For the 1st Head, Left Side of the Main Shaft Motor
16	Shaft Holder Box C	CD0E01C20000	Right Side of the Main Shaft Motor
17	Upper Shaft Bevel Gear B	ME0550000000	
18	Upper Shaft Drive Bevel Gear	ME0551000000	
19	Needle Bearing	BPHK25120000	
20	Gear Stopper Split Collar	ME0552000000	
21	Arm Top Cover	CD0E04020000	
22	Main Connecting Shaft A	CD0A50A2****	
23	N-Coupling	BPN150150000	
24	Machine Connecting Shaft B	CD0A50B1****	
25	Machine Connecting Shat C	CD0A50C0****	
26			
27			
28			
29			
30			
31			
32			
33			
34			
35			
36			
37			
38			
39			
40			
41			
42			
43			
44			
45			
46			

Note: As for parts with marks # or *, please follow our instructions on Table of Contents in your parts order.

TEHX-C NEEDLE BAR CASE 1



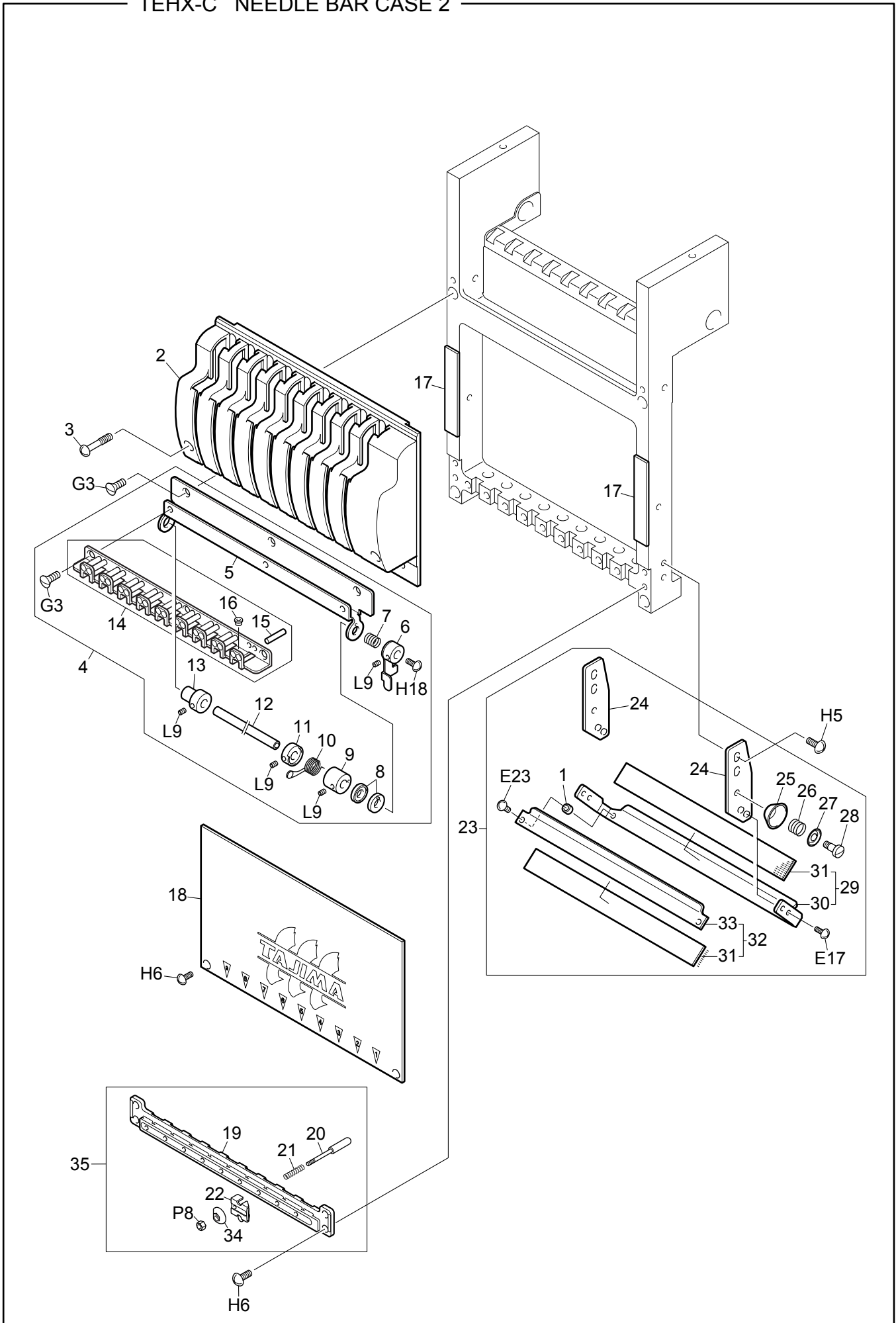
TEHX-C NEEDLE BAR CASE 1

AH-7-1

Ref.No.	Description	Part No.	Remark
1	Needle Bar Case Set	UN260112####	
2	Needle Bar Case	AH060100####	
2	Needle Bar Case	FN0601000000	For 15-Needle M/C
3	Needle Bar	FX0632000000	
4	Needle Bar Holder Spring	ME0601020000	
5	Spring Shoe Washer	EF0619000000	
6	Felt Packing	EF062300####	
7	Cushion Rubber B	EF062700####	
8	Cushion Ring B	EF0643010000	
9	Upper Dead Point Stopper	EF0617010000	
10	Flat Fillister Head Screw	EF0647000000	
11	Needle Bar Connecting Stud	CX0606010000	
12	Presser Foot Spring C	ME0603000000	
13	Presser Foot Set	EF0613030000	
14	Presser Foot	EF0613130000	
15	Presser Foot Bushing	EF0613220000	
16	Cushion Ring D	ME0602000000	
17	Presser Foot Adjusting Rubber	EF0625A0****	0.5mm Thick
17	Presser Foot Adjusting Rubber	EF0625B0****	1.0mm Thick
18	Cushion Ring A	EF0642020000	
19	Needle Clamp	C90029020000	
20	Needle Set Screw	EF0615000000	
21	Needle	EF06405Z1110	DB K5Z1 #11
22	Take-up Lever Shaft	EF060200####	
22	Take-up Lever Shaft	FX0602001200	For 12-Needle M/C
22	Take-up Lever Shaft	ED0F16000000	For 15-Needle M/C
23	Take-up Lever Positioning Bushing	EF0606000000	
24	Roller Type Take-up Lever Set	FX0645S00000	
24	Roller Type Take-up Lever Set	CL0611S20000	For Jumbo Rotary Hook
25	Take-up Lever	FX0645000000	
25	Take-up Lever	FX0603020000	For Jumbo Rotary Hook
26	Thread Guide	MX0521010000	
27	Take-up Lever Boss	CL0611010000	
28	Take-up Lever Adjusting Bushing	EF0605000000	
29	Needle Bar Guide Rail	FN062101####	
30	Case Rail, Lower	FX061200####	
30	Case Rail, Lower	ED0F15000000	For 15-Needle M/C
31	Parallel Pin	BPH70416L000	
32	Color Change Bracket L	CD0E17L00000	
33	Color Change Bracket R	CD0E17R00000	
34	Pin No.714	CD0E16000000	
35	Slide Shaft A	ME0814A0****	
36	Slide Shaft B	ME0814B1****	
37	M6 Joint	EF0827010000	
38	Slide Shaft C	ME0814C1****	
39	Rail Guide	FN062300####	
40			
41			
42			
43			

Note: As for parts with marks # or *, please follow our instructions on Table of Contents in your parts order.

(EE10)



TEHX-C NEEDLE BAR CASE 2

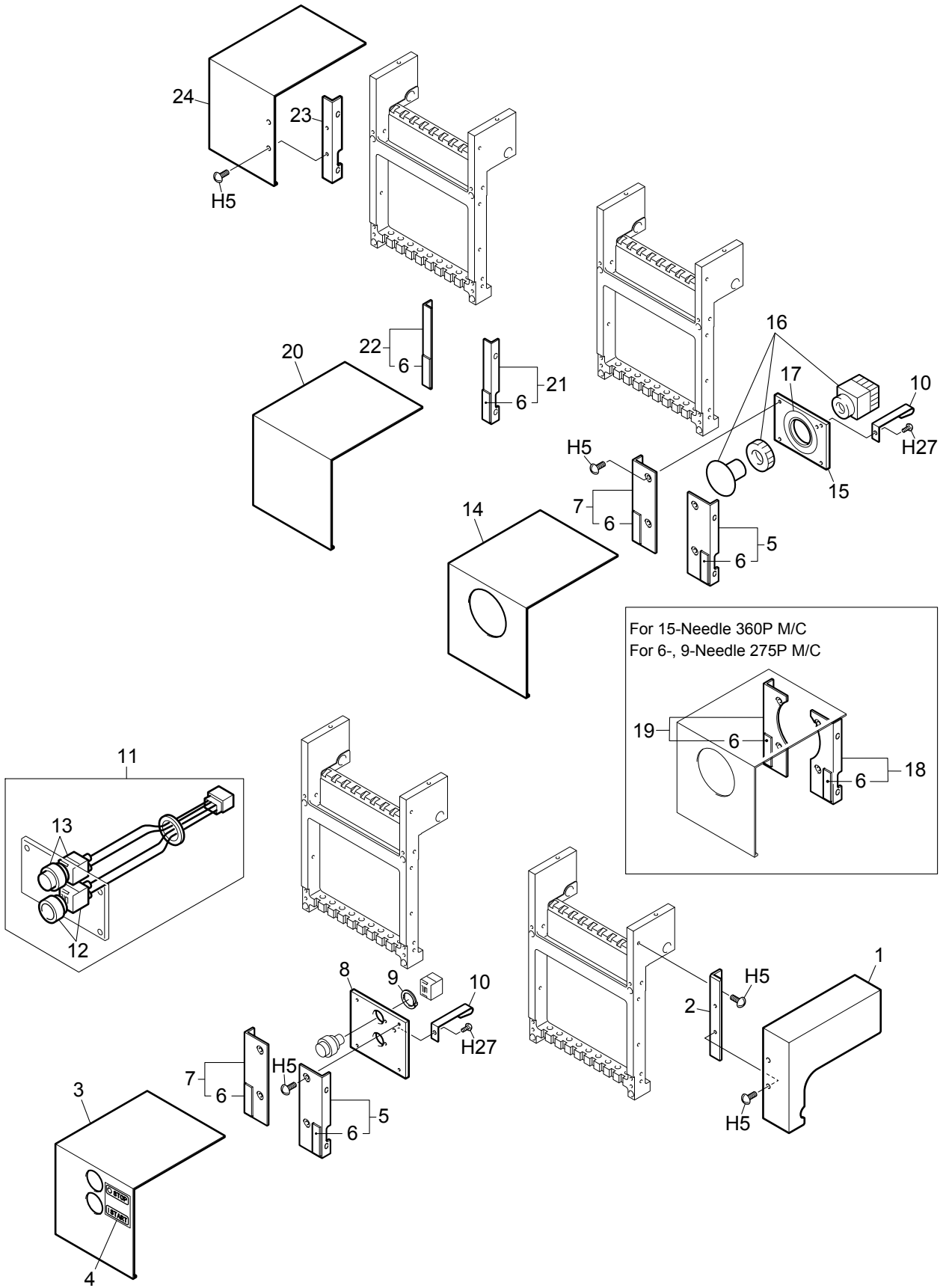
AH-7-2

Ref.No.	Description	Part No.	Remark
1	Thread Presser Spacer	AT0304000000	
2	Top Cover	FN064100####	
3	Top Cover Attaching Screw	CX0675000000	
4	Thread Take-up Spring Attaching Base Set	UN260131####	
5	Thread Take-up Spring Attaching Base	FN063101####	
6	Retracting Lever Set	FN0639000000	
7	Push Spring	FN0638000000	
8	Knurled Screw	FN0640000000	
9	Tension Collar	FN0636000000	
10	Thread Take-up Spring	FN0637000000	
11	Stroke Adjuster A	FN0634000000	
12	5 mm Dia. Shaft	FN063301####	
13	Bushing	FN0643000000	
14	Roller-type Large Thread Holder Set	FN063201####	
15	Needle Roller	FN0642000000	
16	Thread Guide	MX0521010000	
17	Magnet Rubber	EF0635210300	
17	Magnet Rubber	FN0602001500	For 15-Needle M/C
18	Face Plate	FN062202####	
19	Holder Base	FN062803####	
20	Lock Shaft	FN0624010000	
21	Lock Spring	FN0625020000	
22	Presser Fixture	FN0626020000	
23	Thread Presser Base Set	UN680033####	
24	Thread Holder Bracket	AT0323000000	
25	Thread Suspender Disk	EF0637000000	
26	Thread Suspender Spring	EF0639000000	
27	Thread Suspender Spring Presser	EF0638000000	
28	Thread Suspender Attaching Screw	AT2311000000	
29	Thread Presser Base (with Tape)	UN680172****	
30	Thread Presser Base	AT032400####	
31	Velcro	AT030500####	
31	Velcro	FX0631201200	For 12-Needle M/C
31	Velcro	ED0F20001500	For 15-Needle M/C
32	Thread Presser Lid (with Tape)	UN680182####	
33	Thread Presser Lid	AT032500####	
34	Nut Cap	FN0619000000	
35	Upper Thread Locking Device	UN260200####	
36			
37			
38			
39			
40			
41			
42			
43			
44			
45			
46			
47			

Note: As for parts with marks # or *, please follow our instructions on Table of Contents in your parts order.

(EE10)

TEHX-C FRONT COVER



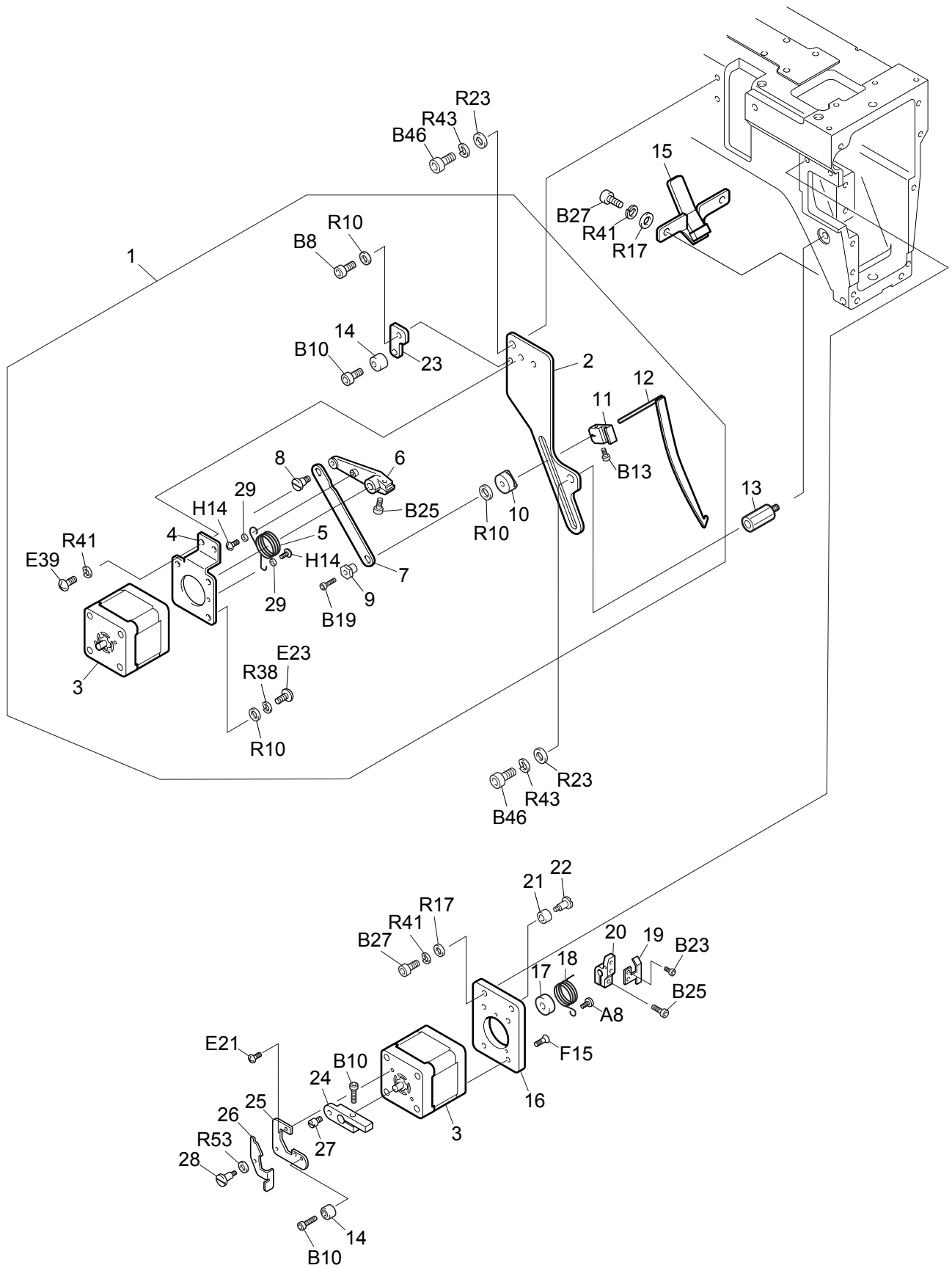
TEHX-C FRONT COVER

AH-8

Ref.No.	Description	Part No.	Remark
1	Front Cover A	MX0815B00000	
2	Cover Attaching Bracket C	CX0696000000	
3	Front Cover B	BX081500****	
4	Start/Stop Switch Label	PB002501SP00	
5	Cover Attaching Bracket E	BX0812E00000	
6	Plate Magnet	FX0628200000	
7	Cover Attaching Bracket F	BX0812F00000	
8	Start Switch Base	BX080803****	
9	Retaining Washer	BX0811000000	
10	Cord Clamp	BX0814000000	
11	Cylinder Head Switch Assembly	SC5807000000	
12	Start Switch	SC5803000000	
13	Stop Switch	SC5806000000	
14	Front Cover J	EN089400****	
15	Stop Switch Base	EN089000****	
16	Push-button Switch	PB0019D0SP00	
17	Push-button Switch Emergency Stop Plate	PB0019C0SP00	
18	Cover Attaching Bracket L Set	BX0813L00000	
19	Cover Attaching Bracket R Set	BX0813R00000	
20	Front Cover B	MX08160B****	
21	Cover Attaching Bracket L	FX0637L00000	
22	Cover Attaching Bracket R	FX0637R00000	
23	Cover Attaching Bracket C	FX0641C00000	
24	Front Cover C	MX08170B####	
25			
26			
27			
28			
29			
30			
31			
32			
33			
34			
35			
36			
37			
38			
39			
40			
41			
42			
43			
44			
45			
46			
47			
48			
49			
50			

Note: As for parts with marks # or *, please follow our instructions on Table of Contents in your parts order.

TEHX-C UPPER THREAD HOLDER SET



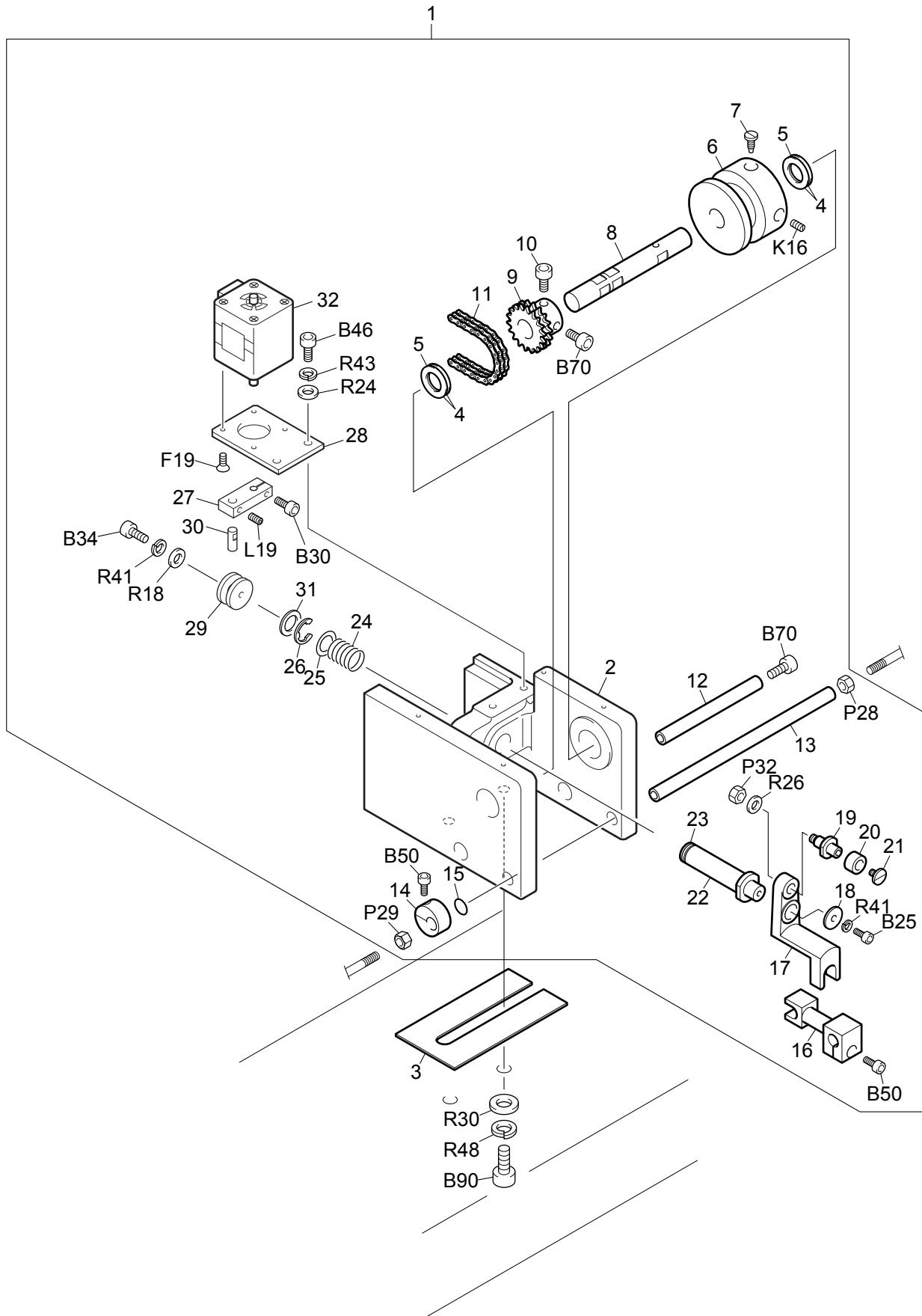
TEHX-C UPPER THREAD HOLDER SET

AH-9

Ref.No.	Description	Part No.	Remark
1	Assembly Base Set	UN6802540000	
2	Upper Thread Hook Assembly Base	AH0508000000	
3	Pulse (Stepping) Motor	RX6402000000	
4	Pulse Motor Base	AT0330000000	
5	Upper Thread Hook Return Spring	JE0501000000	
6	Upper Thread Hook Lever	AT0339000000	
7	Connecting Rod Plate	AH0510000000	
8	Connecting Lever Pin	AT0206010000	
9	Guide Bushing	AC0304000000	
10	Positioning Collar	AC0302010000	
11	Upper Thread Hook Bracket	AC0306100000	
12	Upper Thread Hook	EC0A02030000	
13	Base Stud	EC0A03000000	
14	Eccentric Stopper	EG0220000000	
15	Hook Guide	AT0334000000	
16	Pulse Motor Base	AH0511000000	
17	Jump Positioning Collar	EC0A34000000	
18	Jump Lever Return Spring	EC0A31000000	
19	Jump Lever	AH0512000000	
20	Jump Lever Holder	EC0A33010000	
21	Cushion	AT0404000000	
22	Cushion Pin	AT0405000000	
23	Stopper Base	AH0509000000	
24	Clutch Motor Lever	AH0513000000	
25	Clutch Base	AH0514000000	
26	Clutch Lever	AH0515000000	
27	Clutch Pin	JX0507000000	
28	Lever Fixing Screw	JX0504000000	
29	Spring Holder Collar	MX0523000000	
30			
31			
32			
33			
34			
35			
36			
37			
38			
39			
40			
41			
42			
43			
44			
45			
46			
47			
48			
49			
50			

Note: As for parts with marks # or *, please follow our instructions on Table of Contents in your parts order.

(EE10)



TEHX-C CAM DRIVE SYSTEM SET 1

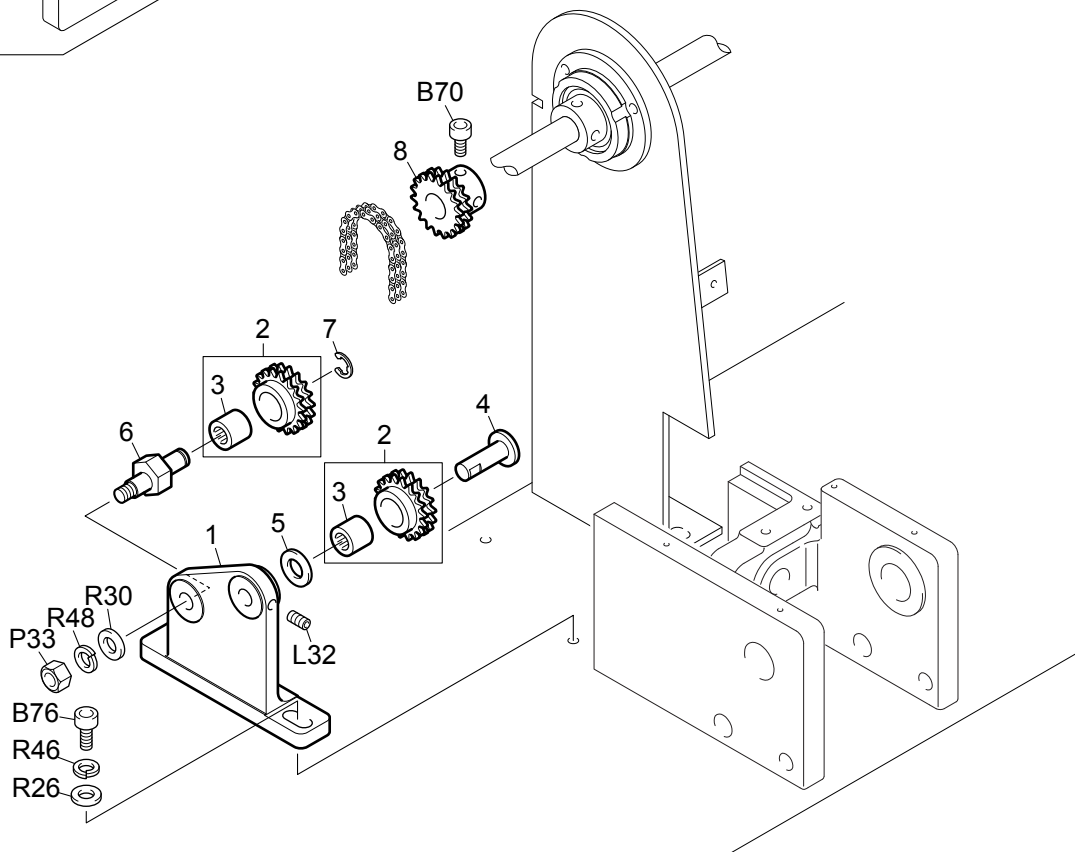
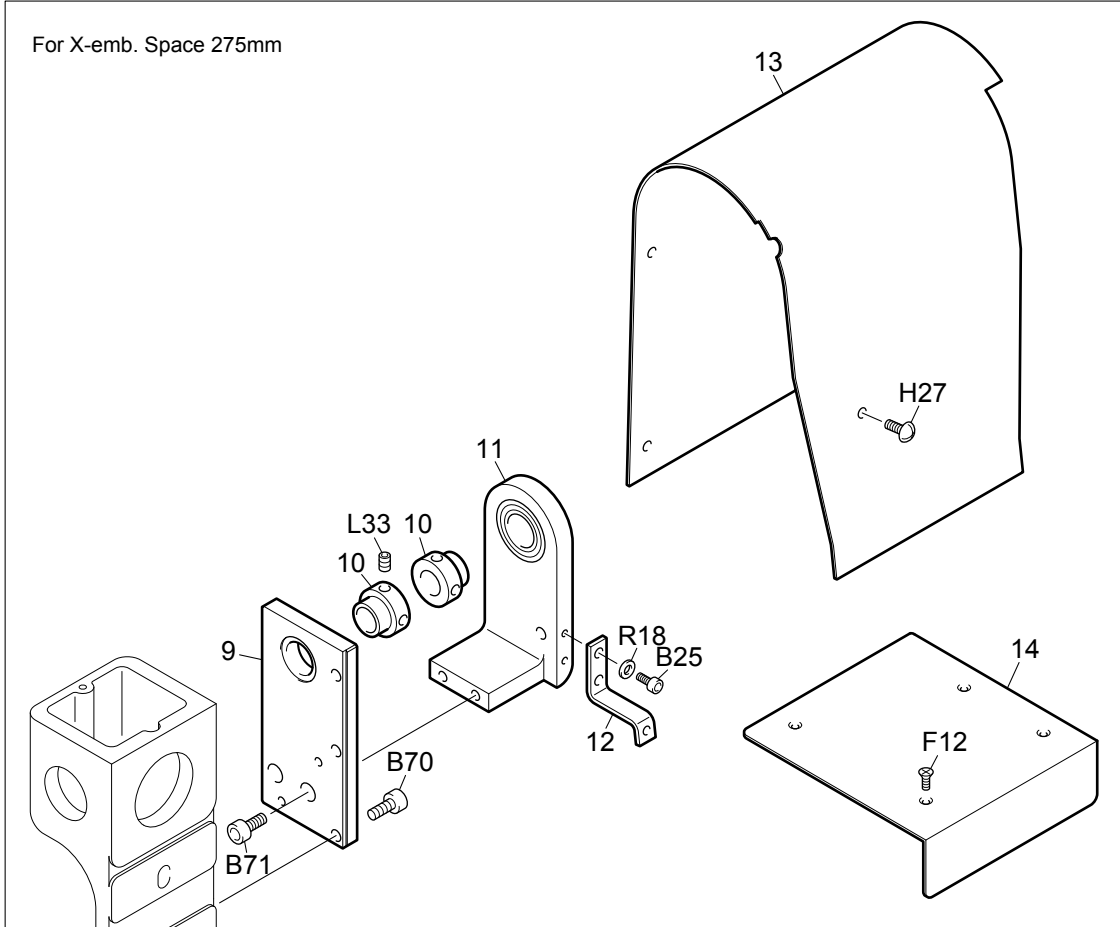
AH-10-1

Ref.No.	Description	Part No.	Remark
1	Cam Attaching Base Set	UN680012AH00	
2	Cam Attaching Base	AH0815000000	
3	Driver Cam Base Spacer	MX083200****	
4	Needle Thrust Washer	BPSW1528AS00	
5	Thrust Bearing	BPSB15280000	
6	Cam	FX0211000000	
7	Cam Attaching Screw	AT0123000000	
8	Cam Shaft	FX0212000000	
9	15mm Dia. Sprocket	AT0104000000	
10	Sprocket Fixing Screw	AT0124000000	
11	Chain	CD0C03000000	
12	Sub Shaft	CD0C05010000	
13	Thread Trimming Connecting Shaft	CD0C04000000	
14	Cushion Connecting Stud	AC0405000000	
15	O-Ring	BPP1000000000	
16	Lever Drive Pin	AC0403000000	
17	Cam Lever	AC0402000000	
18	Lever Fixing Washer	AT0109000000	
19	Cam Pin	AT0110000000	
20	Cam Roller	AT0111000000	
21	Lid Screw	AT0112010000	
22	Lever Support Pin	AT0106020000	
23	Support Pin Cushion	AT0106100000	
24	Cam Roller Return Spring	AT0130000000	
25	Washer B	AT0122010000	
26	E-ring	BPE1200000000	
27	Drive Lever	AT0127010000	
28	Pulse Motor Attaching Bracket	AT0129010000	
29	Reciprocating Collar	AT0131000000	
30	No.4 Pin	EF0512010000	
31	Cushion Washer C	FX0214000000	
32	Pulse (Stepping) Motor	RX6402000000	
33			
34			
35			
36			
37			
38			
39			
40			
41			
42			
43			
44			
45			
46			
47			
48			
49			
50			

Note: As for parts with marks # or *, please follow our instructions on Table of Contents in your parts order.

(EE07)

For X-emb. Space 275mm

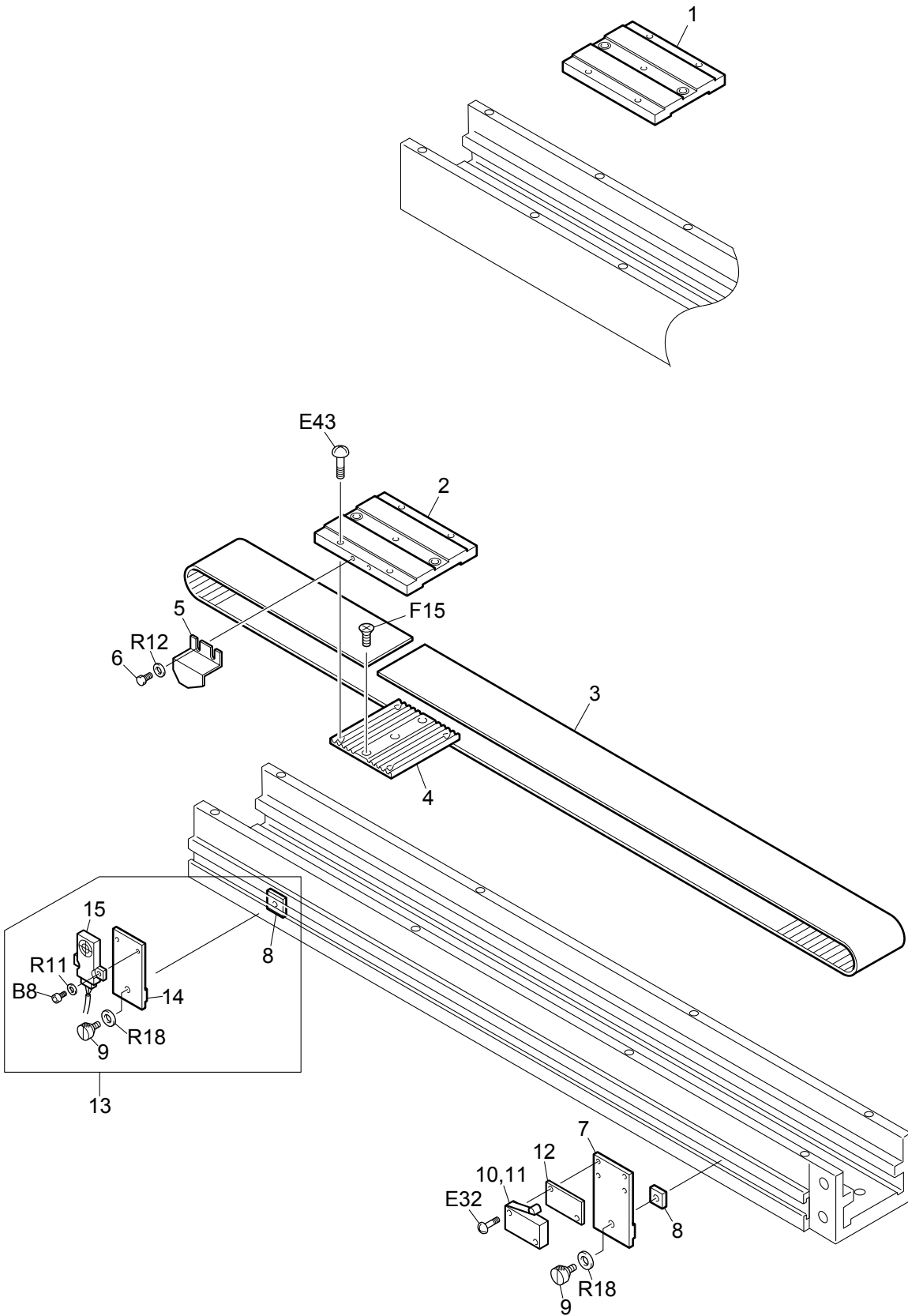


TEHX-C CAM DRIVE SYSTEM SET 2

AH-10-2

Ref.No.	Description	Part No.	Remark
1	ATH Tension Base	CD0C01010000	
2	Tension Sprocket	AT0117000000	
3	Needle Bearing	BPHMK1015000	
4	Tension Pin	CD0C11000000	
5	Thrust Washer	BPAS11000000	
6	ATH Eccentric Pin	CD0C02010000	
7	E-ring	BPE800000000	
8	15mm Dia. Sprocket	AT0104000000	
9	Bearing Case Plate	CD0A43010000	
10	Bearing Bushing	ME0203000000	
11	Sprocket Bearing Case	CD0A57010000	
12	Chain Cover Stopper	AH0810000000	
13	Sprocket Cover	AH0809000000	
14	Chain Cover	AH0808000000	
15			
16			
17			
18			
19			
20			
21			
22			
23			
24			
25			
26			
27			
28			
29			
30			
31			
32			
33			
34			
35			
36			
37			
38			
39			
40			
41			
42			
43			
44			
45			
46			
47			
48			
49			
50			

Note: As for parts with marks # or *, please follow our instructions on Table of Contents in your parts order.



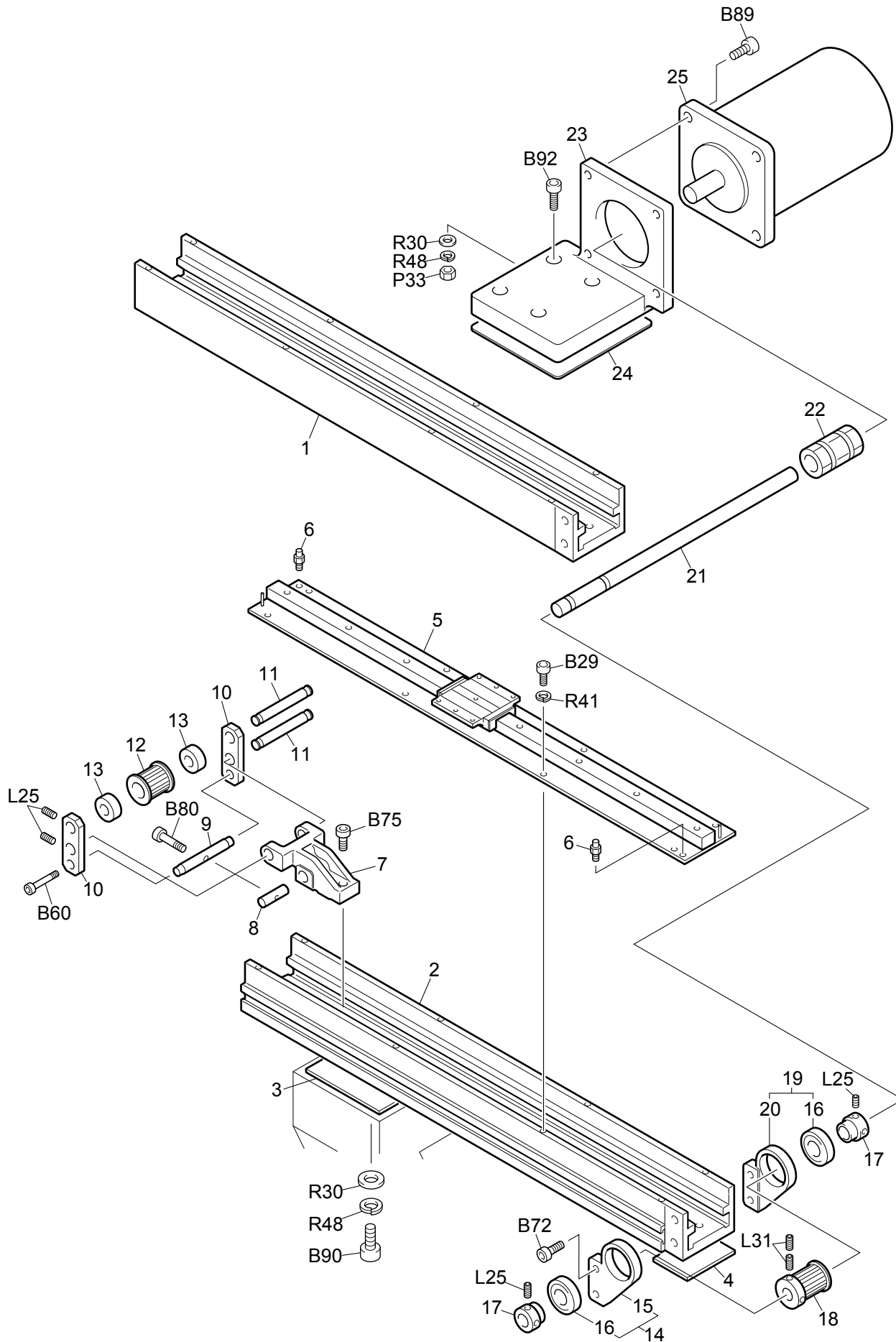
TEHX-C X-AXIS DRIVE SYSTEM 1

AH-11-1

Ref.No.	Description	Part No.	Remark
1	X-axis Feed Plate A	CD0B08A00000	
2	X-axis Feed Plate B	CD0B08B00000	
3	Timing Belt	BPS5M35N****	
4	Belt Catcher Plate	MX0732000000	
5	LS Dog Base	GN0721000000	
6	Hexagon Bolt	EG0780000000	
7	Limit Switch Base B	EG0727B10000	
8	Fixing Base	EG0730000000	
9	Adjusting Knob	EG0731000000	
10	Limit Switch	PB001000SP00	
11	Actuator	MS6602000000	
12	Limit Switch Spacer	ED0708000000	
13	Proximity Switch Set	UN110161G001	
14	Sensor Attaching Base	GN0722000000	
15	Proximity Switch	PB001300KN00	
16			
17			
18			
19			
20			
21			
22			
23			
24			
25			
26			
27			
28			
29			
30			
31			
32			
33			
34			
35			
36			
37			
38			
39			
40			
41			
42			
43			
44			
45			
46			
47			
48			
49			
50			

Note: As for parts with marks # or *, please follow our instructions on Table of Contents in your parts order.

(EE10)

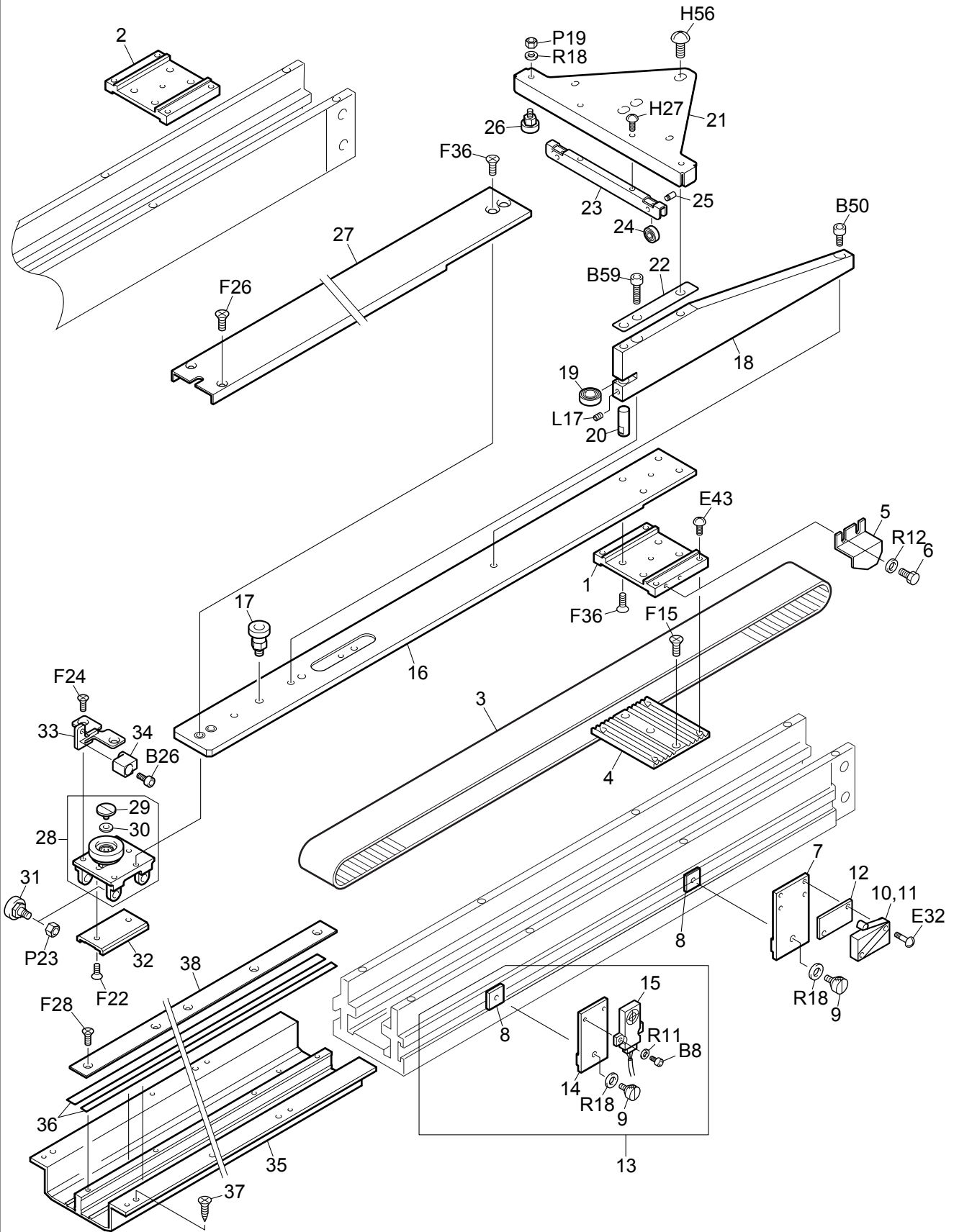


TEHX-C X-AXIS DRIVE SYSTEM 2

AH-11-2

Ref.No.	Description	Part No.	Remark
1	X-axis Driver Frame A	DC0711A0****	
2	X-axis Driver Frame B	DC0711B0****	
3	Driver Cam Base Spacer	MX083200****	
4	Driver Spacer C	EF083100****	
5	X-axis Drive Linear Base Set	MX074800****	
6	Stopper	MX0729000000	
7	Tension Base Holder	MX0734000000	
8	Driver Tension Shaft	MX0728000000	
9	Tension Shaft	MX0724000000	
10	Vertical Tension Base	MX0723000000	
11	Tension Pulley Shaft	MX0725000000	
12	Tension-side Timing Pulley A Set	UN110030A000	
13	Tension Spacer	MX0726000000	
14	Bearing Case Plate L (with Bearing)	MXS733L00000	
15	Bearing Case Plate L	MX0733L00000	
16	Ball Bearing	BP6003ZZ0000	
17	15mm Dia. Bearing Collar	EG0227000000	
18	Driver-side Timing Pulley A	MX0710A00000	
19	Bearing Case Plate R (with Bearing)	MXS733R00000	
20	Bearing Case Plate R	MX0733R00000	
21	X-axis Drive Shaft	EC0723000000	For 2 - 8 Head M/C, 12-Head 360P M/C
21	X-axis Drive Shaft	CD0B31000000	
22	N-Coupling	BPN150150000	
23	Pulse Motor Bracket	CT0872000000	
24	Pulse (Stepping) Motor Bracket Spacer	CT087300****	0.5t, 1.0t, 2.0t
25	Pulse (Stepping) Motor	DX6401010000	For M/C Total Length 5500mm or less
25	Pulse (Stepping) Motor	JX6401000000	For M/C total Length 5501mm and more
26			
27			
28			
29			
30			
31			
32			
33			
34			
35			
36			
37			
38			
39			
40			
41			
42			
43			
44			
45			
46			
47			
48			

Note: As for parts with marks # or *, please follow our instructions on Table of Contents in your parts order.



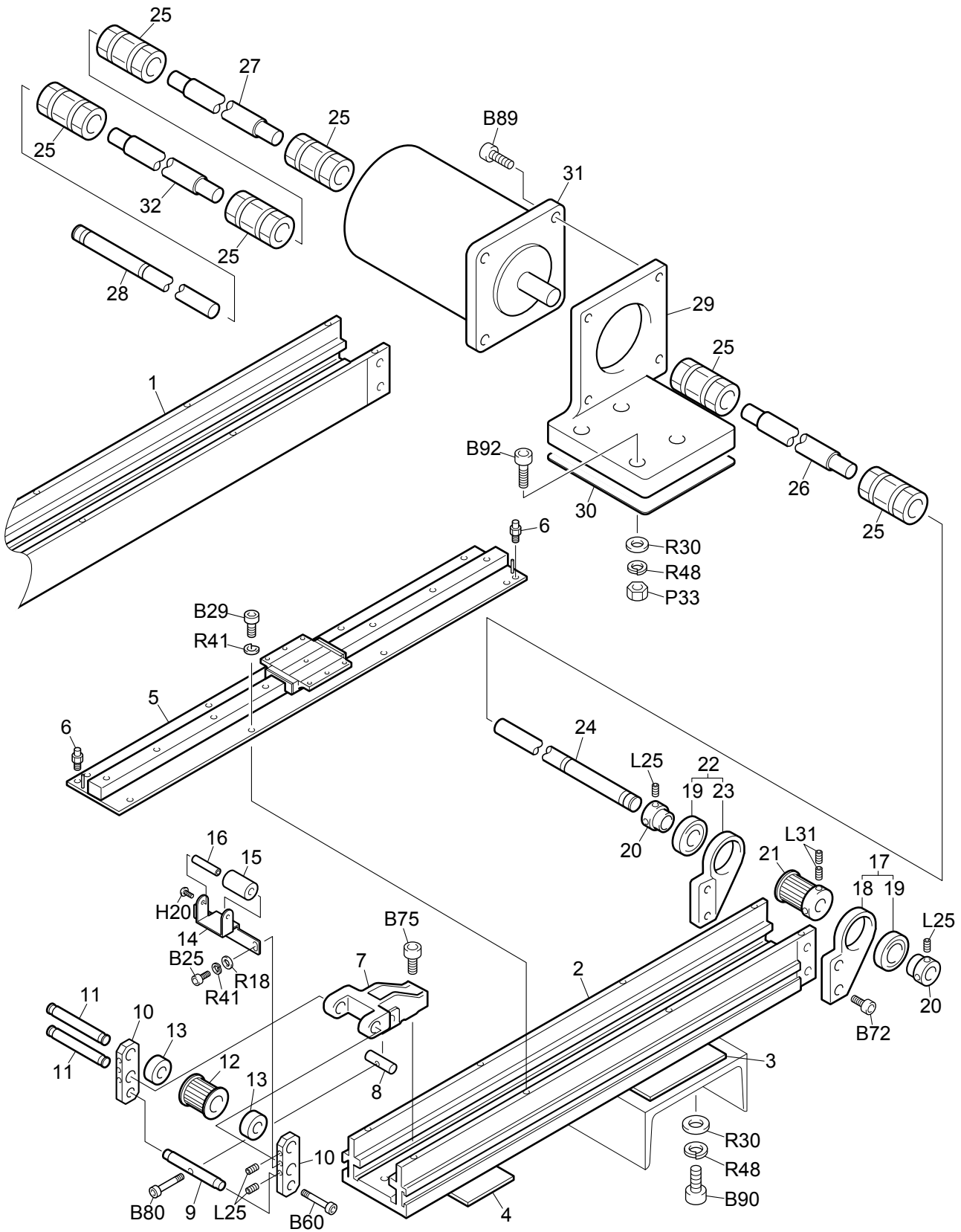
TEHX-C Y-AXIS DRIVE SYSTEM 1

AH-12-1

Ref.No.	Description	Part No.	Remark
1	Y-axis Feed Plate B	DC0714B10000	
2	Y-axis Feed Plate C	DC0714C00000	
3	Timing Belt	BPS5M35N1130	
4	Belt Catcher Plate	MX0732000000	
5	LS Dog Base	GN0721000000	
6	Hexagon Bolt	EG0780000000	
7	Limit Switch Base B	EG0727B10000	
8	Fixing Base	EG0730000000	
9	Adjusting Knob	EG0731000000	
10	Limit Switch	PB001000SP00	
11	Actuator	MS6602000000	
12	Limit Switch Spacer	ED0708000000	
13	Proximity Switch Set	UN110161G001	
14	Sensor Attaching Base	GN0722000000	
15	Proximity Switch	PB001300KN00	
16	Driver Connecting Plate	MX0A22000000	
17	Bearing Pin	BF0A46010000	
18	Lift-preventive Stud	MX0A15000000	
19	Ball Bearing	BPSSL1680ZZF	
20	Fixing Shaft	BF0155010000	
21	Lift-preventive Arm	MX0A20000000	
22	Lift-preventive Spacer A	MX0A33A00000	0.5mm Thick
22	Lift-preventive Spacer B	MX0A33B00000	0.3mm Thick
23	Lift-preventive Roller Base	MX0A14000000	
24	Ball Bearing	BPR1240ZZ000	
25	Shaft Pin	MX0A17000000	
26	Roller Pin	CD0H11000000	
27	Y-axis Feed Connecting Plate	AH0702000000	
28	Y-axis Feed Plate, Front	MX0A16000000	
29	Connecting Arm Presser Screw	SP0301000000	
30	Presser Screw Spacer	MX0A39000000	
31	Y-axis Feed Front Pin	MX0742000000	
32	Guide Plate	MX0743010000	
33	Frame Presser Attaching Bracket	GN0719000000	
34	Frame Presser Block	GN0718000000	
35	Front Rail Holder	AH0701000000	For Table Thickness 20t
35	Front Rail Holder	CD0B20000000	
36	Rail Plate, Crosswise	MX0311000450	
37	Countersunk Head Wood Screw	ZZ110420SD00	4.1P*20
38	Y-axis Feed Rail Plate	CD0B22000000	
39			
40			
41			
42			
43			
44			
45			
46			
47			
48			

Note: As for parts with marks # or *, please follow our instructions on Table of Contents in your parts order.

(EE10)



TEHX-C Y-AXIS DRIVE SYSTEM 2

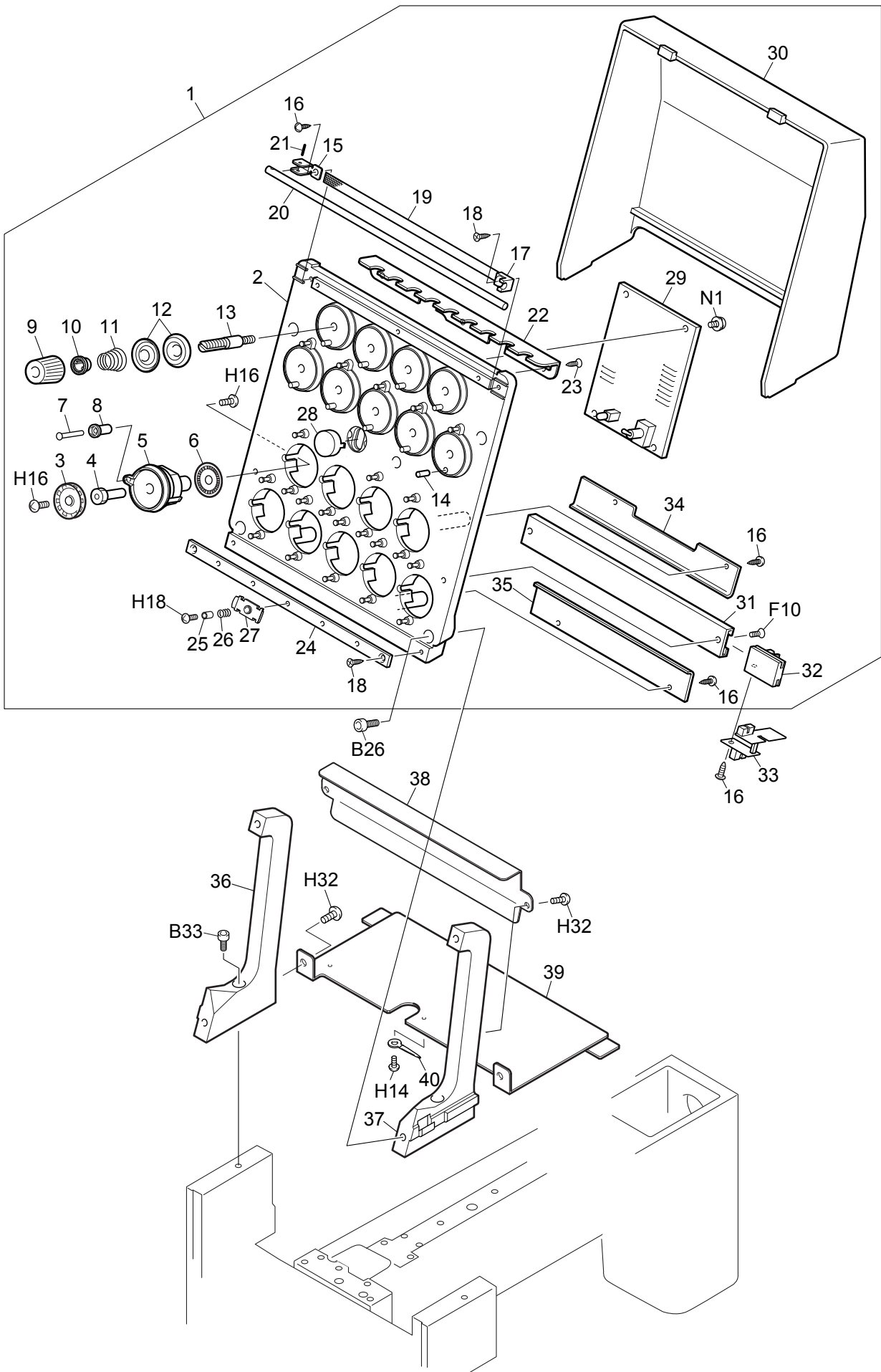
AH-12-2

Ref.No.	Description	Part No.	Remark
1	Y-axis Driver Frame A	CD0B10A00000	
2	Y-axis Driver Frame B	CD0B10B00000	
3	Driver Cam Base Spacer	MX083200****	
4	Driver Spacer C	EF083100****	
5	Y-axis Drive Linear Base Set	MX074900****	
6	Stopper	MX0729000000	
7	Tension Base Holder	MX0734000000	
8	Driver Tension Shaft	MX0728000000	
9	Tension Shaft	MX0724000000	
10	Tension Base	CD0B14010000	
11	Tension Pulley Shaft	MX0725000000	
12	Tension-side Timing Pulley A Set	UN110030A000	
13	Tension Spacer	MX0726000000	
14	Bearing Case	CD0B11010000	
15	Roller	EF0722000000	
16	Roller Pin	EF0723010000	
17	Bearing Case Plate L (with Bearing)	MXS733L00000	
18	Bearing Case Plate L	MX0733L00000	
19	Ball Bearing	BP6003ZZ0000	
20	15mm Dia. Bearing Collar	EG0227000000	
21	Driver-side Timing Pulley A	MX0710A00000	
22	Bearing Case Plate R (with Bearing)	MXS733R00000	
23	Bearing Case Plate R	MX0733R00000	
24	Y15 Shaft A	CD0805A1****	
25	N-Coupling	BPN150150000	
26	Y20 Shaft A	CD0806A0****	For M/C Total Length 6501mm and more
27	Y20 Shaft B	CD0806B0****	For M/C Total Length 6501mm and more
28	Y-axis Shaft	MX084200****	
29	Pulse Motor Bracket	CT0872000000	
30	Pulse (Stepping) Motor Bracket Spacer	CT087300****	0.5t, 1.0t, 2.0t
31	Pulse (Stepping) Motor	DX6402010000	For M/C Total Length 5500mm or less
31	Pulse (Stepping) Motor	JX6402000000	For M/C total Length 5501mm and more
32	Y20 Shaft C	CD0806C0****	
33			
34			
35			
36			
37			
38			
39			
40			
41			
42			
43			
44			
45			
46			
47			
48			
49			

Note: As for parts with marks # or *, please follow our instructions on Table of Contents in your parts order.

(EE10)

TEHX-C ROTARY-TYPE TENSION BASE



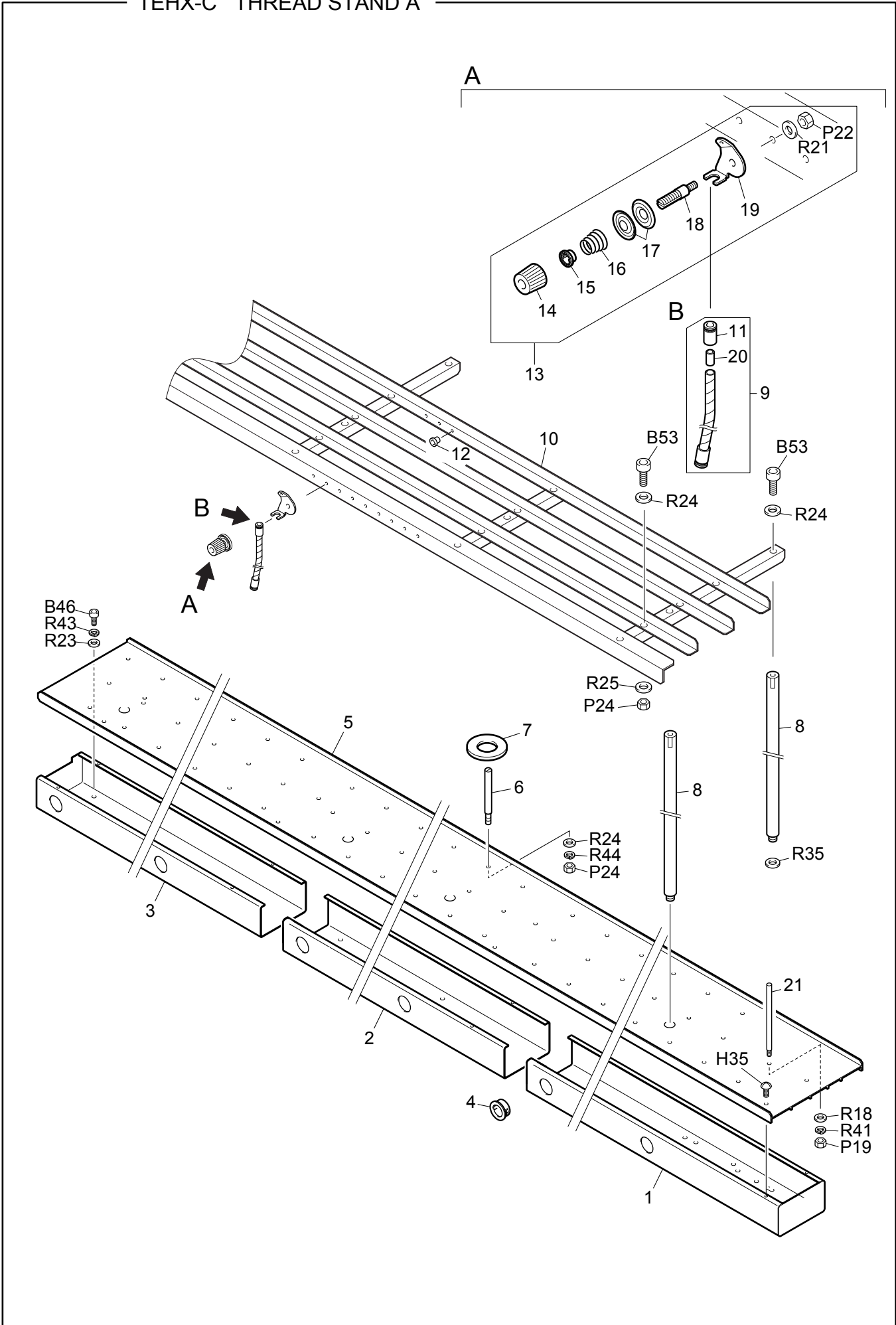
TEHX-C ROTARY-TYPE TENSION BASE

AH-13

Ref.No.	Description	Part No.	Remark
1	Rotary-type Tension Base Set	UN230120****	
2	Tension Base	FN091901####	
3	Rotary Tension Disk	FN0901010000	
4	Slit Disk Shaft	FN0904010000	
5	Rotary Base	FN0916010000	
6	Rotary Disk Slit Plate	FG7210000000	
7	Thread Guide Pin B	FN0906000000	
8	Guide Pin Roller	FN0907000000	
9	First Tension Thread Spring Screw	FN0922000000	
10	Spring Hook	EF0910000000	
11	First Tension Spring	LG0960010000	
12	First Tension Disk	FN0921000000	
13	First Tension Stud	FN0903000000	
14	Thread Guide Pin A	FN0905000000	
15	Upper Thread Presser Base	FN0924000000	
16	Truss Head Tapping Screw	ZZ010306SD00	3P*6
17	Shaft Holder	FN0923000000	
18	Countersunk Tapping Screw	ZZ110310SD00	3P*10
19	Thread Holding Felt	FN093000####	
20	Upper Thread Presser Shaft	ED0L1800####	
21	Spring Pin	BPSP01560000	1.5P*6
22	Upper Thread Guide	FN090901####	
23	Countersunk Tapping Screw	ZZ110310SD00	3P*8
24	Thread Guide Plate	FN091501####	
25	Sleeve	EC0912000000	
26	Thread Presser Spring	EC0908000000	
27	Thread Presser	EC0909010000	
28	Tension Base Lamp Cover	ED0K17000000	
29	Tension Base Card (PC Board)	RX7201000000	
30	Tension Base Cover	FN091800####	
31	Thread Breakage Sensor Rail	FN091000####	
32	Thread Breakage Sensor Base	FN0911000000	
33	TC Sensor Card	FG7204000000	
34	Slit Disk Guard A	FN091200####	
35	Slit Disk Guard B	FN091300####	
36	Tension Base Support L	FN0917L00000	
37	Tension Base Support R	FN0917R00000	
38	Cable Cover	FN091403####	
39	Tension Base Cord Cover	AH090100####	
40	Coated Clip	ED0K29000000	
41			
42			
43			
44			
45			
46			
47			
48			
49			
50			

Note: As for parts with marks # or *, please follow our instructions on Table of Contents in your parts order.

(EE10)



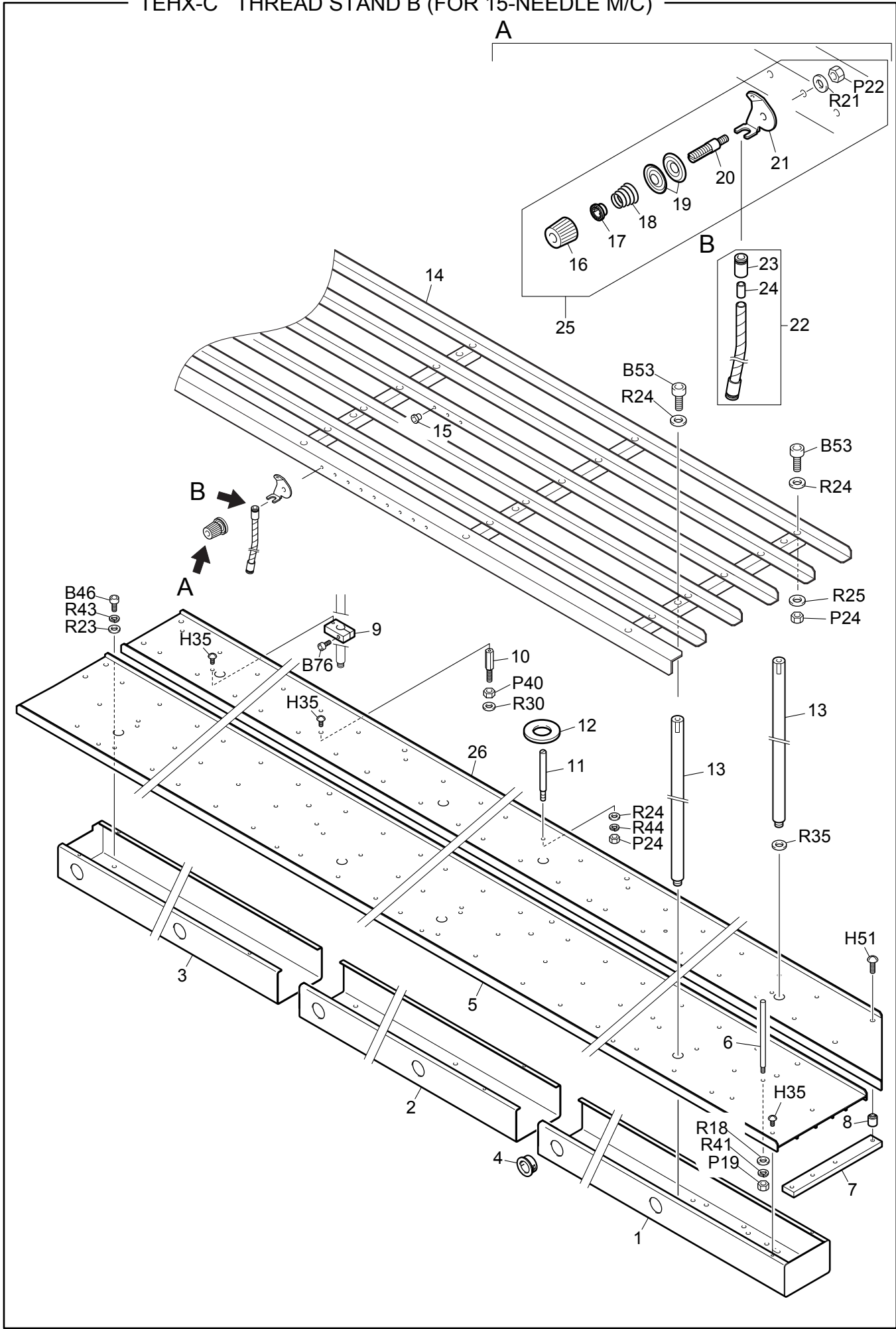
TEHX-C THREAD STAND A

AH-14a

Ref.No.	Description	Part No.	Remark
1	No.1 Wiring Duct	EC0829A0****	
2	No.2 Wiring Duct	EC0829B0****	
3	No.3 Wiring Duct	EC0829C0****	
4	One-touch Bushing	BPTB25330000	
5	Thread Stand Plate	AH080300****	
6	Thread Stand Stud	EF0939010000	
7	Thread Stand Felt	EF0940000000	
8	Thread Stand Shaft	AH0804000000	
9	Spiral Tube	EC0906000003	
10	Thread Course	EC086800****	
11	Tube Joint	ED0L11000000	
12	Thread Guide A	EF0942A00000	White
12	Thread Guide B	EF0942B00000	Red
13	No.1 Tension Set	UN150501C000	
14	No.1 Thread Tension Spring Screw	FN0922000000	
15	Spring Hook	EF0910000000	
16	No.1 Tension Spring	LG0960010000	
17	No.1 Tension Disk	LG0920010000	
18	No.1 Tension Stud	FN0903000000	
19	No.1 Tension Thread Course	ED0L14010000	
20	Tube Presser Pipe	ED0L12000000	
21	Bobbin Stand Stud	EF0122000000	
22			
23			
24			
25			
26			
27			
28			
29			
30			
31			
32			
33			
34			
35			
36			
37			
38			
39			
40			
41			
42			
43			
44			
45			
46			
47			
48			
49			

Note: As for parts with marks # or *, please follow our instructions on Table of Contents in your parts order.

TEHX-C THREAD STAND B (FOR 15-NEEDLE M/C)

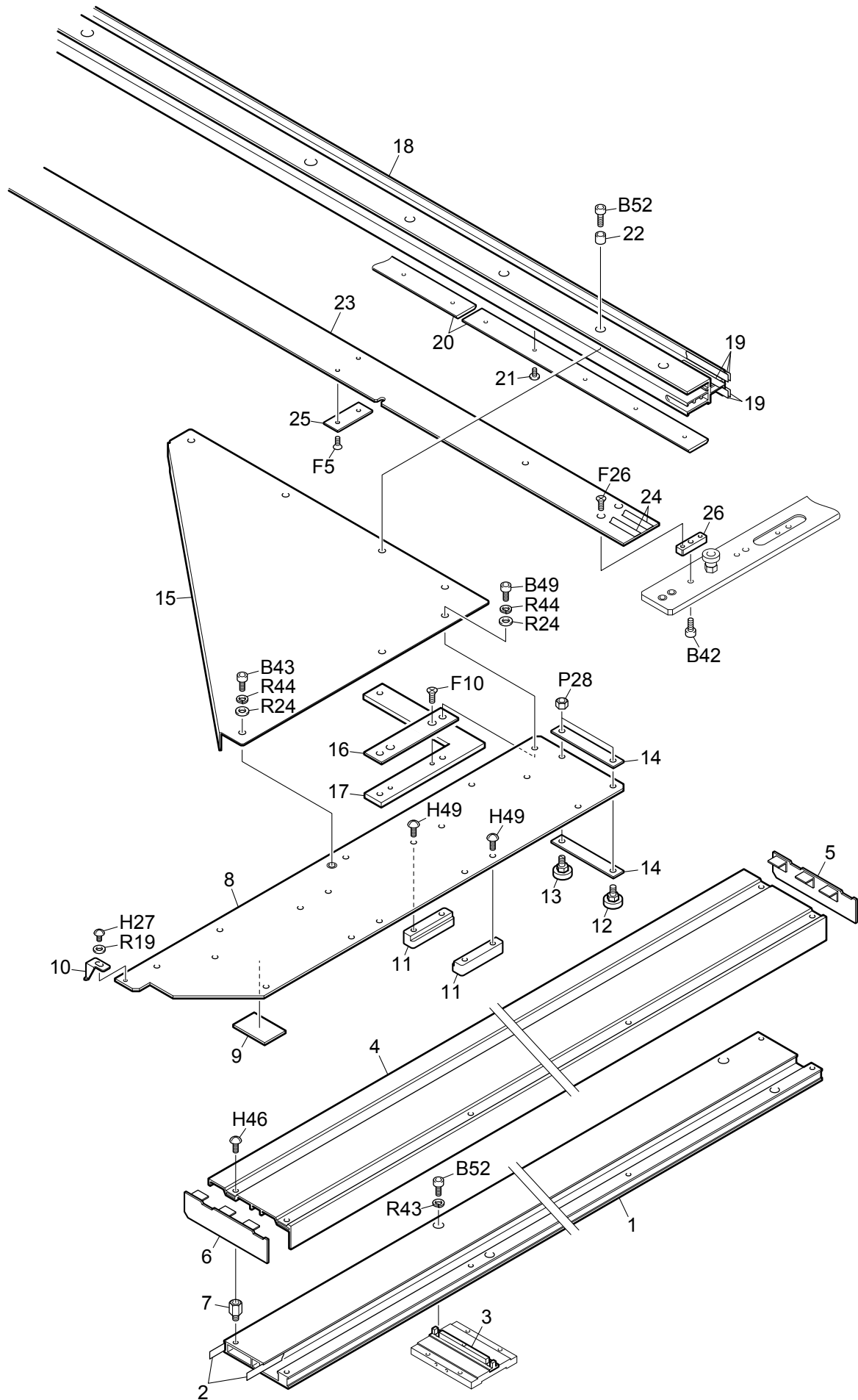


TEHX-C THREAD STAND B (FOR 15-NEEDLE M/C) AH-14b

Ref.No.	Description	Part No.	Remark
1	No.1 Wiring Duct	EC0829A0****	
2	No.2 Wiring Duct	EC0829B0****	
3	No.3 Wiring Duct	EC0829C0****	
4	One-touch Bushing	BPTB25330000	
5	Thread Stand Plate, Front	AH0803A0****	
6	Bobbin Stand Stud	EF0122000000	
7	Thread Stand Plate Base	CD0A82000000	
8	Thread Stand Plate Spacer	ED0849000000	
9	Thread Stand Plate Fixing Bracket	CD0A83000000	
10	Base Support Stud	AH0830000000	
11	Thread Stand Stud	EF0939010000	
12	Thread Stand Felt	EF0940000000	
13	Thread Stand Shaft	AH0804000000	
14	Thread Course	CD0A8000****	
15	Thread Guide A	EF0942A00000	White
15	Thread Guide B	EF0942B00000	Red
16	No.1 Thread Tension Spring Screw	FN0922000000	
17	Spring Hook	EF0910000000	
18	No.1 Tension Spring	LG0960010000	
19	No.1 Tension Disk	LG0920010000	
20	No.1 Tension Stud	FN0903000000	
21	No.1 Tension Thread Course	ED0L14010000	
22	Spiral Tube	EC0906000003	
23	Tube Joint	ED0L11000000	
24	Tube Presser Pipe	ED0L12000000	
25	No.1 Tension Set	UN150501C000	
26	Thread Stand Plate, Rear	AH0803B0****	
27			
28			
29			
30			
31			
32			
33			
34			
35			
36			
37			
38			
39			
40			
41			
42			
43			
44			
45			
46			
47			
48			
49			

Note: As for parts with marks # or *, please follow our instructions on Table of Contents in your parts order.

TEHX-C BASE SASH

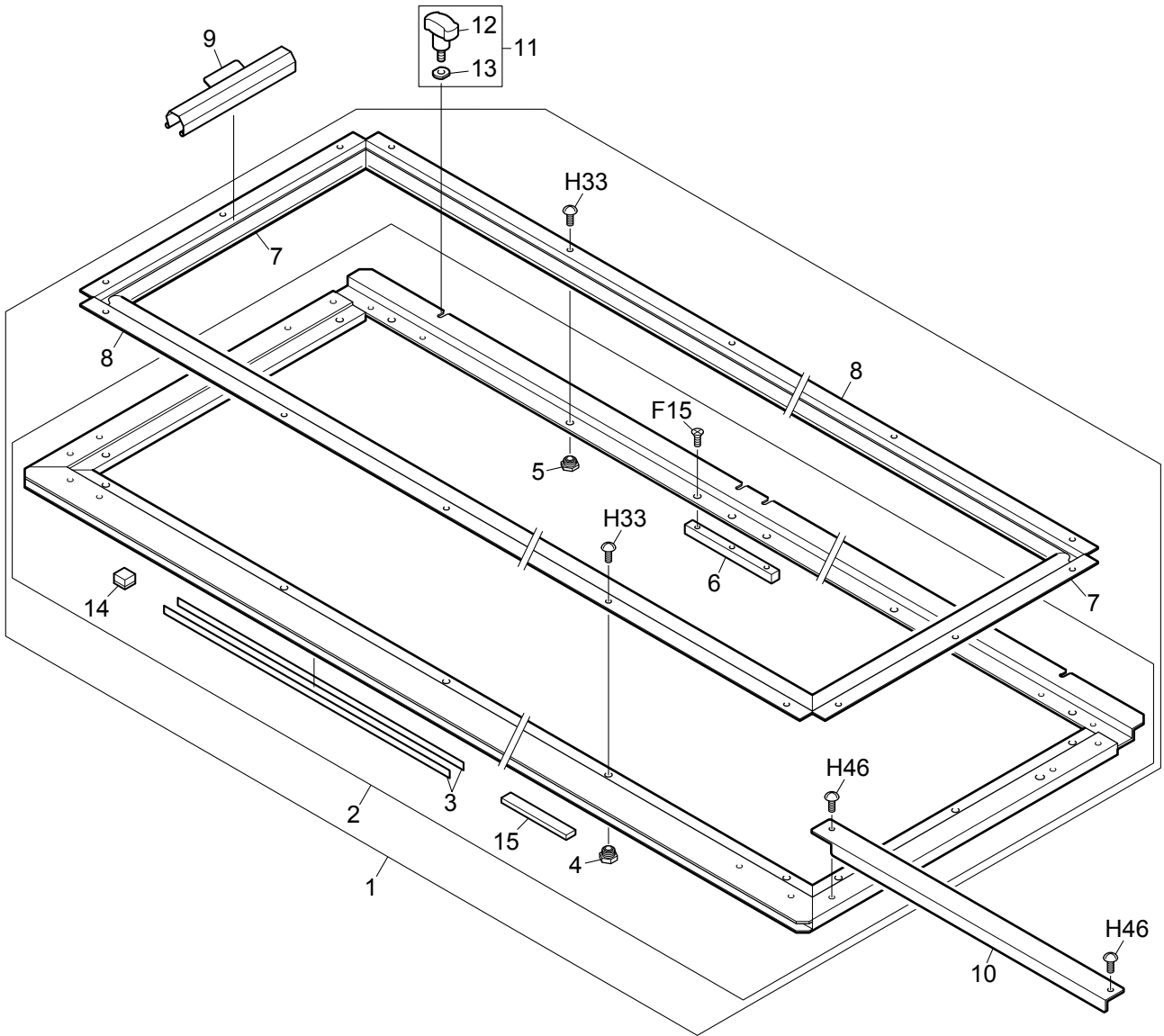


TEHX-C BASE SASH

AH-15

Ref.No.	Description	Part No.	Remark
1	Z-spec. Frame Sash	CD0B30000000	
2	Rail Plate	CD0B04000000	
3	Z-spec. Frame Sash Spacer	BF0A11000000	
4	Z-spec. Frame Sash Cover	CD0B02000000	
5	Side Cover L	BF1122010000	
6	Side Cover R	BF1123010000	
7	Z-spec. Frame Sash Cover Stud A	BF2305010000	
8	Z-spec. Roller Base	BF0A05000000	
9	Cork	BF2310000000	
10	Embroidery Space Indicator	BF2331000000	
11	Z-spec. Roller Lift-preventive Block B	CD0B29010000	
12	Z-spec. Roller	BF0A12000000	
13	Eccentric Z-spec. Roller	BF0A13000000	
14	Plate Washer	BF0A14000000	
15	Joint Cover	BF0A0600****	
16	Corner Spacer	BF0A07000000	
17	Corner	BF0A17000000	
18	Slide Base	BF0A0101****	
19	Rail Plate A	BF0A4800****	
20	Sash Plate H	BF0A4700****	For Right-side Use
20	Slide Plate	BF0A3800****	
20	Sash Plate G	BF0A4300****	For Left-side Use
21	Flat Fillister Head Screw M3	CD0H36000000	
22	Screw Bushing	WH0121000000	
23	Base Plate	BF0A0201****	
24	Rail Plate	BF0A1500****	
25	Sash Plate	BF0A08000000	
26	Plate Stud	BF0A45000000	
27			
28			
29			
30			
31			
32			
33			
34			
35			
36			
37			
38			
39			
40			
41			
42			
43			
44			
45			
46			
47			
48			

Note: As for parts with marks # or *, please follow our instructions on Table of Contents in your parts order.

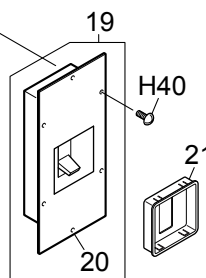
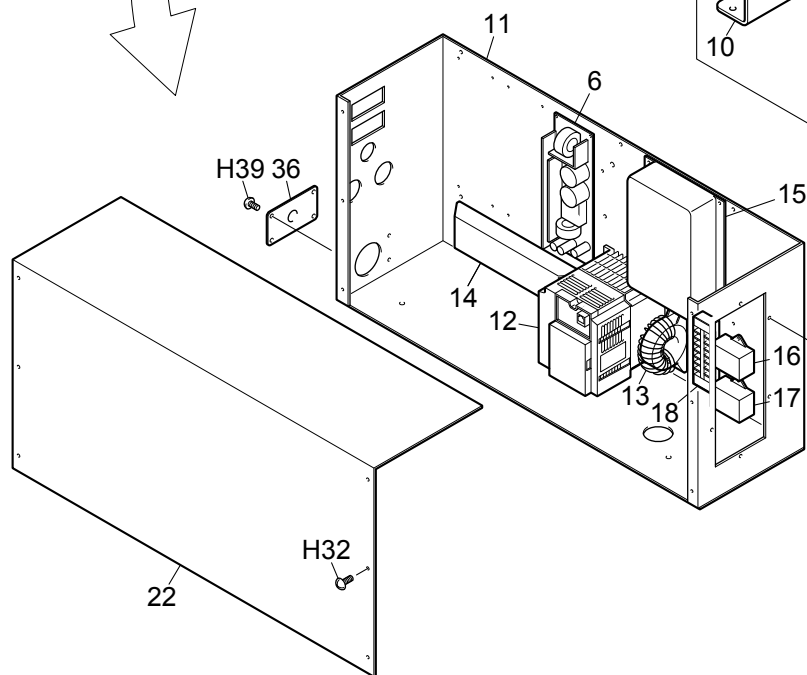
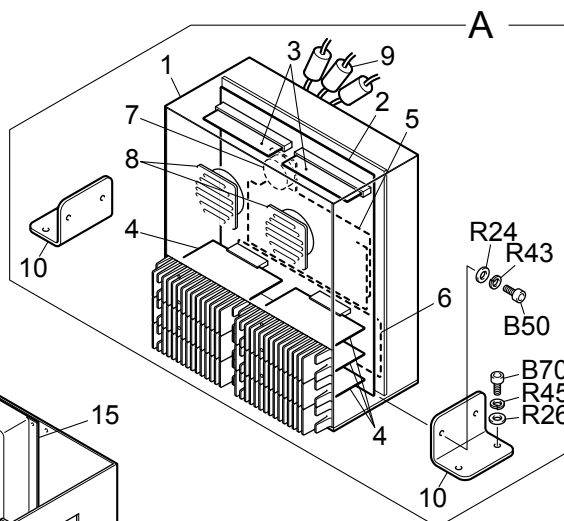
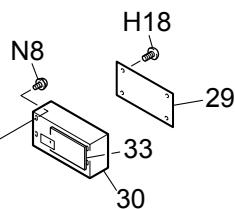
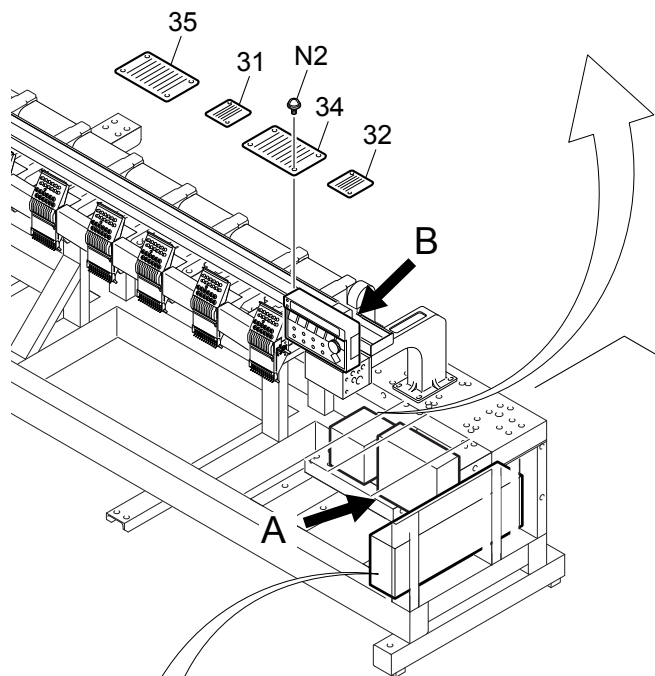
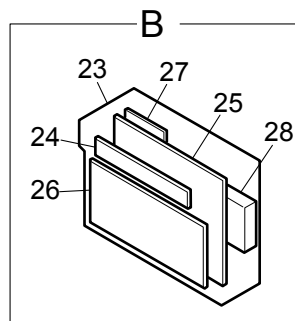
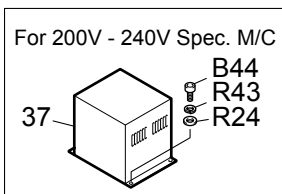
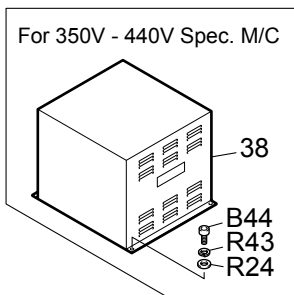


TEHX-C BORDER FRAME

AH-16

Ref.No.	Description	Part No.	Remark
1	Common Use Border Frame Set	AH0301S0****	
2	Common Use Border Frame	AH030100****	
3	Rail Plate, Crosswise	MX031100****	
4	Screw Ring	EF0303000000	
5	Screw Ring B	MX0B05000000	
6	Frame Holder Block	MX0B17010000	
7	Common Use Border Frame Lengthwise Sash	MX0B02000000	
8	Common Use Border Frame Crosswise Sash	MX0B0300****	
9	Border Frame Clip	MX0320D0****	
9	Border Frame Clip	MX0320E0****	Low-height Type
10	Joint Angle	MX0B0600****	
11	Frame Set Screw A Set	BF0A16S10000	
12	Frame Set Screw A	BF0A16010000	
13	Screw Setting Spacer A	WH0A12000000	
14	No.6 Cork Base Set	MX0A11000000	
15	No.4 Felt	EG0317000000	
16			
17			
18			
19			
20			
21			
22			
23			
24			
25			
26			
27			
28			
29			
30			
31			
32			
33			
34			
35			
36			
37			
38			
39			
40			
41			
42			
43			
44			
45			
46			
47			
48			
49			

Note: As for parts with marks # or *, please follow our instructions on Table of Contents in your parts order.



TEHX-C ELECTRICAL PARTS A

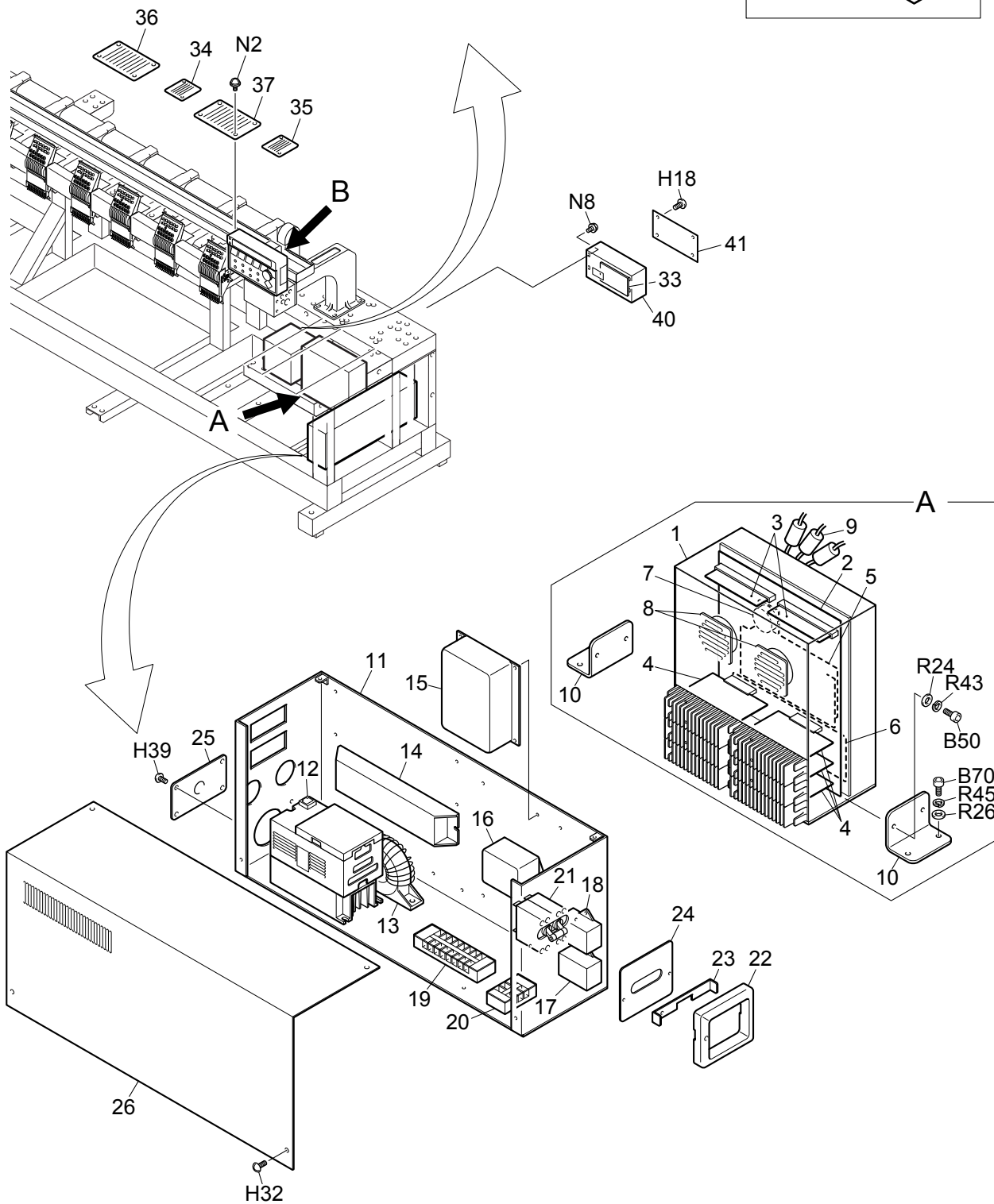
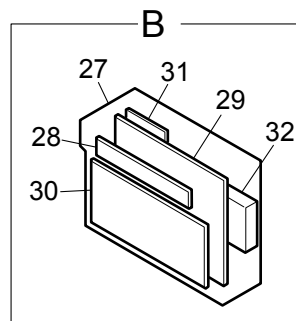
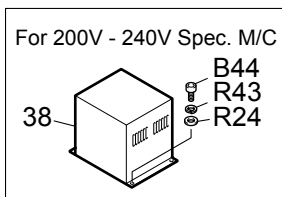
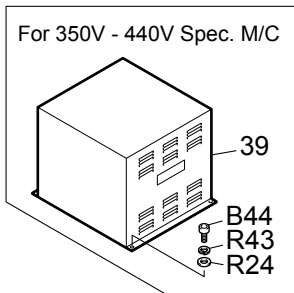
AH-17a

Ref.No.	Description	Part No.	Remark
1	Power Supply Driver Box	JX5600010000	
2	Mother Board	JX5603000000	
3	Driver CPU Card	JX5602010000	
4	Driver Card (PC Board)	HX5602A10000	
5	5V Power Supply	PB0032A1PW00	
6	24V Power Supply	PB0025A1PW00	
7	Fan	PB001100BF00	
8	Fan	PB001800BF00	
9	Clamp Filter	PB000500FM00	
10	Power Supply Box Stand	HX0811020000	
11	Electrical Component Parts Box	JC0804000000	
12	Inverter	PB0009A1AD00	For 7-, 8-Head M/C
12	Inverter	PB0004A1AD00	For 9 - 20 Head M/C
13	Line Noise Filter	PB0015A0FM00	
14	Brake Resistor	PB001900RA00	For 7-, 8-Head M/C
14	Brake Resistor	PB001400RA00	For 9 - 20 Head M/C
15	Noise Filter	PB000900FM00	For 3-Phase
15	Noise Filter	PB000800FM00	For Single-phase 2 - 8 Head M/C
16	Surge Protector	PB001500RS00	
17	Surge Protector	PB001400RS00	3-Phase Spec. M/C only
18	Terminal Base	PB001400TB00	
19	No Fuse Breaker Assembly	FG5801000000	For 3-Phase
19	No Fuse Breaker Assembly	FG5801A00000	For Single-phase
20	No Fuse Breaker	PB003400KA00	For 3-Phase
20	No Fuse Breaker	PB0034A0KA00	For Single-phase
21	Breaker Cover	FN0829000000	
22	Electrical Component Parts Box Cover	JC0805000000	
23	Controller	JX5100A30000	
24	FIP (Indicator Assembly)	PB001100LP00	
25	CPU-B Card	MX5101A90000	
26	Switch Card	MX5102000000	
27	Memory-B Card	JX5101000000	
28	Floppy Disk Drive	PB001000RE00	
29	Joint Card (PC Board)	EC6103A00000	
30	Joint Box	EC0854000000	
31	I/F Card A	HX6102030000	
32	I/F Card B	HX6102A30000	
33	Joint Box Cover	EC0855000000	
34	ATH Card	JX7101010000	
35	Head Card	JX6101010000	
36	Harness Holder	JX0809000000	
37	Fluorescent Lamp Transformer Unit 3	PA6021000000	For M/C without Auto Sub Table Lifter
37	Fluorescent Lamp Transformer Unit 3A	PA6021A00000	For M/C with Auto Sub Table Lifter
38	Separate Transformer UnitX9	PA6018010000	For 6 - 8 Head M/C
38	Separate Transformer UnitX10A	PA6019020000	For 9 - 20 Head M/C
39			
40			
41			
42			
43			

Note: As for parts with marks # or *, please follow our instructions on Table of Contents in your parts order.

(EE10)

TEHX-C ELECTRICAL PARTS B (FOR 2 - 6 HEAD M/C)



TEHX-C ELECTRICAL PARTS B (FOR 2 - 6 HEAD M/C)^{AH-17b}

Ref.No.	Description	Part No.	Remark
1	Power Supply Driver Box	JX5600010000	
2	Mother Board	JX5603000000	
3	Driver CPU Card	JX5602010000	
4	Driver Card (PC Board)	HX5602A10000	
5	5V Power Supply	PB0032A1PW00	
6	24V Power Supply	PB0025A1PW00	
7	Fan	PB001100BF00	
8	Fan	PB001800BF00	
9	Clamp Filter	PB000500FM00	
10	Power Supply Box Stand	HX0811020000	
11	Electrical Component Parts Base	CX08J2100000	
12	Inverter	PB0003A1AD00	
13	Line Noise Filter	PB0015A0FM00	For 3-phase Spec. M/C
14	Brake Resistor	PB001600RA00	
15	Noise Filter	PB000900FM00	For 3-phase Spec. M/C
16	Noise Filter	PB000800FM00	For Single-phase Spec. M/C
17	Surge Protector	PB001500RS00	
18	Surge Protector	PB001400RS00	For 3-phase Spec. M/C
19	Terminal Base	PB001400TB00	
20	Terminal Base	PB001500TB00	
21	Circuit Protector	PB002800KA00	For 3-phase Spec. M/C
21	Circuit Protector	PB002700KA00	For Single-phase Spec. M/C
22	Switch Guard	CX08J1510000	
23	Breaker Lock	CX08J1700000	For 3-phase Spec. M/C
23	Breaker Lock	CX08J1800000	For Single-phase Spec. M/C
24	Switch Guard Plate	CX08J2400000	For 3-phase Spec. M/C
24	Switch Guard Plate	CX08J2300000	For Single-phase Spec. M/C
25	Harness Holder	JX0809000000	
26	Electrical Parts Cover	CX08J2200000	
27	Controller	JX5100A30000	
28	FIP (Indicator Assembly)	PB001100LP00	
29	CPU-B Card	MX5101A90000	
30	Switch Card	MX5102000000	
31	Memory-B Card	JX5101000000	
32	Floppy Disk Drive	PB001000RE00	
33	Joint Card (PC Board)	EC6103A00000	
34	I/F Card A	HX6102030000	
35	I/F Card B	HX6102A30000	
36	Head Card	JX6101000000	
37	ATH Card	JX7101010000	
38	Fluorescent Lamp Transformer Unit 3	PA6021000000	For M/C without Auto Sub Table Lifter
38	Fluorescent Lamp Transformer Unit 3A	PA6021A00000	For M/C with Auto Sub Table Lifter
38	Fluorescent Lamp Transformer Unit	PA6012010000	For 1-, 2-Lamp Type
39	Separate Transformer UnitX8	PA6016010000	For 2 - 4 Head M/C
39	Separate Transformer UnitX9	PA6018010000	For 6 - 8 Head M/C
40	Joint Box	EC0854000000	
41	Joint Box Cover	EC0855000000	
42			
43			
44			

Note: As for parts with marks # or *, please follow our instructions on Table of Contents in your parts order.

(EE10)

TEHX-C MAIN SHAFT MOTOR

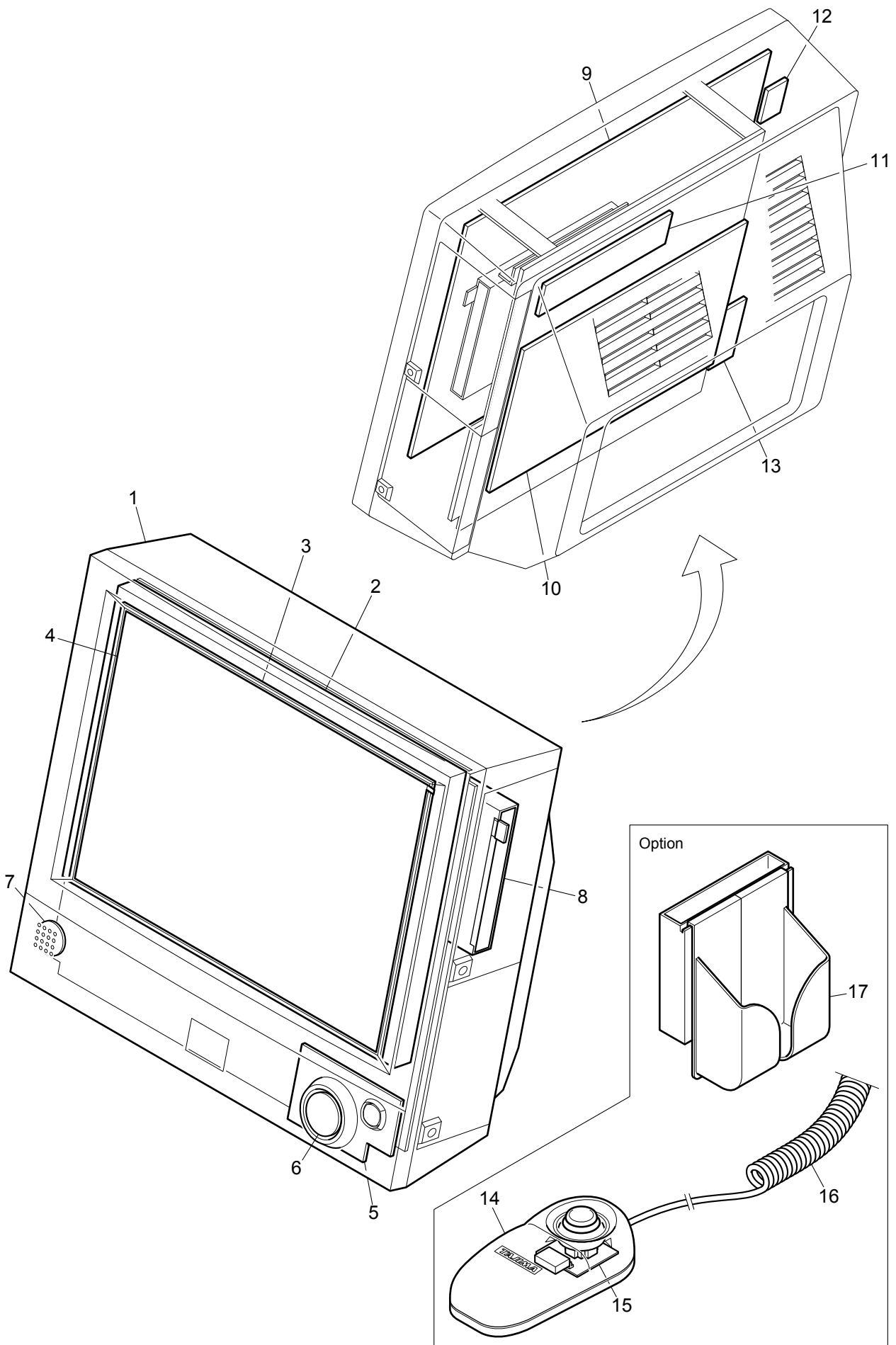
AH-18

Ref.No.	Description	Part No.	Remark
1	Main Shaft Motor	CD6201000000	For 6 or less Head M/C
1	Main Shaft Motor	CT0827010000	For 7, 8-Head M/C
1	Main Shaft Motor	ED6215010000	
2	Main Shaft Attaching Bracket	CD0A75000000	For 6 or less Head M/C
2	Main Shaft Attaching Bracket	EC0864000000	For 7, 8-Head M/C
2	Main Shaft Attaching Bracket	ED0160000000	
3	Main Shaft Tension Bracket	CD0A76000000	For 6 or less Head M/C
3	Main Shaft Tension Bracket	CT0106000000	For 7, 8-Head M/C
3	Main Shaft Tension Bracket	ED0159010000	
4	Motor Base Spacer	CD0A74000000	For 6 or less Head M/C
4	Motor Base Spacer	EC0863000000	For 7, 8-Head M/C
4	Motor Base Spacer	CD0A72000000	
5	Main Shaft Motor Pulley	CD0A73000000	For 6 or less Head M/C
5	Main Shaft Motor Pulley	EC0865000000	For 7, 8-Head M/C
5	Main Shaft Motor Pulley	ED0161000000	
6	Motor Pulley Cover A	CD0A77000000	For 6 or less Head M/C
6	Motor Pulley Cover A	EC0866000000	For 7, 8-Head M/C
6	Motor Pulley Cover A	CD0A70010000	
7	Motor Pulley Cover B	CD0A78000000	For 6 or less Head M/C
7	Motor Pulley Cover B	EC0867000000	For 7, 8-Head M/C
7	Motor Pulley Cover B	CD0A71010000	
8	Timing Belt	BPS5M3510850	For 6 or less Head M/C
8	Timing Belt	BPS5M3511600	
9	Main Shaft Pulley	CD0A42000000	
10	Hexagon Socket Head Set Screw	BPKCPM8L1600	
11	Tension Base	CD0A46010000	
12	Ball Bearing	BP6202ZZ0000	
13	Tension Roller	CD0A38000000	
14	Roller Shaft	CD0A39000000	
15	Bearing Case Base	AH0805010000	
16	Bearing Case Base Spacer A	CD0A54A10000	0.2mm Thick
16	Bearing Case Base Spacer B	CD0A54B10000	0.5mm Thick
16	Bearing Case Base Spacer C	CD0A54C10000	1.0mm Thick
17	Bearing Case	DL0105000000	
18	15mm Dia. Bearing Case Collar	EF0106000000	
19	Pulley Cover A	AH080700****	
20	Pulley Cover B	CD0A66B10000	
21	Pulley Cover C	CD0A66C10000	
22	Belt Cover A	AH0806A0****	
23	Cover Stud	CD0A28000000	
24			
25			
26			
27			
28			
29			
30			
31			
32			
33			

Note: As for parts with marks # or *, please follow our instructions on Table of Contents in your parts order.

(EE10)

TEHX-C LCD OPERATION PANEL (OPTION)



TEHX-C LCD OPERATION PANEL (OPTION)

AH-19

Ref.No.	Description	Part No.	Remark
1	Controller	RX5100000000	
2	12.1-inch TFT Color LCD	PB001800LP00	
3	12.1-inch Touch Panel	RX5105000000	
4	12.1-inch Touch Panel Protection Sheet	RX5110000000	
5	Frame Travel Switch Card	RX5107000000	
6	Switch Lever	RX0810000000	
7	Speaker	RX5106000000	
8	Floppy Disk Drive	PB001100RE00	
9	CPU-C Card	RX5111000000	
10	RISC Card	RX5104000000	
11	Backlight Inverter	PB001900LP00	
12	Touch Panel Cable Extension Card	RX5108000000	
13	Regulator Card	RX5109000000	
14	Jog Remote-controller	RX5101000000	
15	Jog Remote-controller Card	RX5102000000	
16	Jog Remote-controller Harness	RX5103000000	
17	Jog Remote-controller Pocket	PB0001A0NB00	
18			
19			
20			
21			
22			
23			
24			
25			
26			
27			
28			
29			
30			
31			
32			
33			
34			
35			
36			
37			
38			
39			
40			
41			
42			
43			
44			
45			
46			
47			
48			
49			
50			

Note: As for parts with marks # or *, please follow our instructions on Table of Contents in your parts order.

No.	Part No.	Remark	No.	Part No.	Remark
A	Flat Fillister Head Screw		B18	SS6203200TD0	M3*20
A1	SM15015430CN	1/8*44*3	B19	SS6203200TN0	M3*20
A2	SM15015450CN	1/8*44*5	B20	SS6203250TN0	M3*25
A3	SM15015455CN	1/8*44*5.5	B21	SS6204050TD0	M4*5
A4	SM15015460CN	1/8*44*6	B22	SS6204050TN0	M4*5
A5	SM16515530CN	9/64*40*3	B23	SS6204060TN0	M4*6
A6	SM14020540CN	9/64*40*4	B24	SS6204080TD0	M4*8
A7	SM16516540SA	9/64*40*4	B25	SS6204080TN0	M4*8
A8	SM17010540CN	9/64*40*4	B26	SS6204100TD0	M4*10
A9	SM1E515550CN	9/64*40*5	B27	SS6204100TN0	M4*10
A10	SM14020560CN	9/64*40*6	B28	SS6204120TD0	M4*12
A11	SM15525560CN	9/64*40*6	B29	SS6204120TN0	M4*12
A12	SM15526570CN	9/64*40*7	B30	SS6204150TN0	M4*15
A13	SM15020580CN	9/64*40*8	B31	SS6204180TN0	M4*18
A14	SM15530580CN	9/64*40*8	B32	SS6204200TD0	M4*20
A15	SM16025580CN	9/64*40*8	B33	SS6204200TN0	M4*20
A16	SM150205A0CN	9/64*40*10	B34	SS6204250TN0	M4*25
A17	SM150205C0CN	9/64*40*12	B35	SS6204250TN1	M4*25
A18	SM150205F0CN	9/64*40*15	B36	SS6204300TN0	M4*30
A19	SM15422643TN	11/64*40*4.3	B37	SS6204350TN0	M4*35
A20	SM17017670CN	11/64*40*7	B38	SS6204400TN0	M4*40
A21	SM1C035675CN	11/64*40*7.5	B39	SS6204450TN0	M4*45
A22	SM10825690SH	11/64*40*9	B40	SS6205060TN0	M5*6
A23	SM146266B5CN	11/64*40*11.5	B41	SS6205080TD0	M5*8
A24	SM172316C0CN	11/64*40*12	B42	SS6205080TN0	M5*8
A25	SS6003080SC0	M3*8	B43	SS6205100TD0	M5*10
A26	SS6003080SD0	M3*8	B44	SS6205100TN0	M5*10
A27	SS6003100CC0	M3*10	B45	SS6205100TP0	M5*10
A28	SS6004100SC0	M4*10	B46	SS6205120TN0	M5*12
			B47	SS6205140TN0	M5*14
			B48	SS6205150MZ0	M5*15
			B49	SS6205150TD0	M5*15
B	Hexagon Socket Head Cap Screw		B50	SS6205150TN0	M5*15
B1	SS6202080TD0	M2*8	B51	SS6205160TN0	M5*16
B2	SS6202100TD0	M2*10	B52	SS6205180TN0	M5*18
B3	SS6276050TN0	M2.6*5	B53	SS6205200TD0	M5*20
B4	SS6203030TN0	M3*3	B54	SS6205200TN0	M5*20
B5	SS6203040TN0	M3*4	B55	SS6205220TN0	M5*22
B6	SS6203050TN0	M3*5	B56	SS6205230TN0	M5*23
B7	SS6203060TD0	M3*6	B57	SS6205250TN0	M5*25
B8	SS6203060TN0	M3*6	B58	SS6205300TN0	M5*30
B9	SS6203080TD0	M3*8	B59	SS6205350TN0	M5*35
B10	SS6203080TN0	M3*8	B60	SS6205350TN1	M5*35
B11	SS6203100TD0	M3*10	B61	SS6205400TN0	M5*40
B12	SS6203100TN0	M3*10	B62	SS6205450TN0	M5*45
B13	SS6203120TN0	M3*12	B63	SS6205500TN0	M5*50
B14	SS6203150TD0	M3*15	B64	SS6205500TN1	M5*50
B15	SS6203150TN0	M3*15	B65	SS6205550TN0	M5*55
B16	SS6203160TN0	M3*16	B66	SS6205600TN0	M5*60
B17	SS6203180TN0	M3*18	B67	SS6205600TN1	M5*60

B.C.D.E

No.	Part No.	Remark	No.	Part No.	Remark
B	Hexagon Socket Head	Cap Screw	C7	SS9306150SC0	M6*15
B68	SS6206080TN0	M6*8	C8	SS9306450SD0	M6*45
B69	SS6206090TN0	M6*9	C9	SS9306500SC0	M6*50
B70	SS6206100TN0	M6*10	C10	SS9306500SD0	M6*50
B71	SS6206120TN0	M6*12	C11	SS9306550SD0	M6*55
B72	SS6206150TN0	M6*15	C12	SS9306650SD0	M6*65
B73	SS6206180TN0	M6*18	C13	SS9306750SC0	M6*75
B74	SS6206200TN0	M6*20	C14	SS9308150TN0	M8*15
B75	SS6206250TN0	M6*25	C15	SS9308180TN0	M8*18
B76	SS6206300TN0	M6*30	C16	SS9310300TN0	M10*30
B77	SS6206350TN0	M6*35	C17	SS9310350SC0	M10*35
B78	SS6206400TN0	M6*40	C18	SS9310350TN0	M10*35
B79	SS6206450TN0	M6*45	C19	SS9310400SC1	M10*40
B80	SS6206450TN1	M6*45	C20	SS9312500TN0	M12*50
B81	SS6206500TN1	M6*50	C21	SS9312B00TN0	M12*110
B82	SS6206650TN0	M6*65			
B83	SS6506750TN1	M6*75			
B84	SS6206800TN1	M6*80	D	Round Fillister Head Screw	
B85	SS6206A00TN0	M6*100	D1	SM66514540CL	9/64*40*4
B86	SS6208120TN0	M8*12	D2	SM66015550CL	9/64*40*5
B87	SS6208150TN0	M8*15	D3	SM66015550CN	9/64*40*5
B88	SS6208150TP0	M8*15	D4	SM67018550CN	9/64*40*5
B89	SS6208200TN0	M8*20	D5	SM67020550CN	9/64*40*5
B90	SS6208250TN0	M8*25	D6	SM66015560CL	9/64*40*6
B91	SS6208300TN0	M8*30	D7	SM66015560CN	9/64*40*6
B92	SS6208350TN0	M8*35	D8	SM67020560CL	9/64*40*6
B93	SS6208400TN0	M8*40	D9	SM67020560CN	9/64*40*6
B94	SS6208400TN1	M8*40	D10	SM65817568CN	9/64*40*6.8
B95	SS6208450TN0	M8*45	D11	SM67020580CL	9/64*40*8
B96	SS6208450TN1	M8*45	D12	SM67020580CN	9/64*40*8
B97	SS6208500TN0	M8*50	D13	SM660255A0CN	9/64*40*10
B98	SS6208600TN0	M8*60	D14	SM670205C0CN	9/64*40*12
B99	SS6208700TN0	M8*70	D15	SM67015660CN	11/64*40*6
B100	SS6210200TN0	M10*20	D16	SM67530665CN	11/64*40*6.5
B101	SS6210250TN0	M10*25	D17	SM675306A5CN	11/64*40*10.5
B102	SS6210300TN0	M10*30	D18	SM675306C0CN	11/64*40*12
B103	SS6210350TN0	M10*35	D19	SM675256F0CN	11/64*40*15
B104	SS6210400TN0	M10*40	D20	SM69065CQ5CN	9/32*28*24.5
B105	SS6212300TN0	M12*30	D21	SS7003050SD0	M3*5
B106	SS6212350TN0	M12*35			
			E	Pan Head Screw	
C	Hexagon Bolt		E1	SS4164014MZ0	M1.4*1.4
C1	SS9303060SD0	M3*6	E2	SS4102030MZ0	M2*3
C2	SS9304080SD0	M4*8	E3	SS4102040MZ0	M2*4
C3	SS9305100SD0	M5*10	E4	SS4102080MZ0	M2*8
C4	SS9305150SC0	M5*15	E5	SS4175030MZ0	M2.5*3
C5	SS9305150SD0	M5*15	E6	SS4175040MZ0	M2.5*4
C6	SS9305200SD0	M5*20	E7	SS4175050MZ0	M2.5*5

No.	Part No.	Remark	No.	Part No.	Remark
E	Pan Head Screw		E57	SS4105500SD1	M5*50
E8	SS4175080MZ0	M2.5*8	E58	SS4105600SD1	M5*60
E9	SS4175130MZ0	M2.5*13			
E10	SS4175130SD0	M2.5*13			
E11	SS4103030MZ0	M3*3			
E12	SS4103030SD0	M3*3	F	Countersunk Head Screw	
E13	SS4103040CD0	M3*4	F1	SMA55005A0CN	9/64*40*10
E14	SS4103040MZ0	M3*4	F2	SMB7000680CN	11/64*40*8
E15	SS4103040SD0	M3*4	F3	SS1102060SD0	M2*6
E16	SS4103050MZ0	M3*5	F4	SS1103040MZ0	M3*4
E17	SS4103050SD0	M3*5	F5	SS1103040SD0	M3*4
E18	SS4103060MZ0	M3*6	F6	SS1103050MZ0	M3*5
E19	SS4103060SA0	M3*6	F7	SS1103050SD0	M3*5
E20	SS4103060SD0	M3*6	F8	SS1003060SD0	M3*6
E21	SS4103080MZ0	M3*8	F9	SS1103060MZ0	M3*6
E22	SS4103080SA0	M3*8	F10	SS1103060SD0	M3*6
E23	SS4103080SD0	M3*8	F11	SS1103070SD0	M3*7
E24	SS4103100SC1	M3*10	F12	SS1003080SD0	M3*8
E25	SS4103100SD0	M3*10	F13	SS1103080MZ0	M3*8
E26	SS4103110SC1	M3*11	F14	SS1103080SC0	M3*8
E27	SS4103120MZ0	M3*12	F15	SS1103080SD0	M3*8
E28	SS4103120SD0	M3*12	F16	SS1103080SN0	M3*8
E29	SS4103140SA0	M3*14	F17	SS1103100SD0	M3*10
E30	SS4103140SD0	M3*14	F18	SS1103120MZ0	M3*12
E31	SS4103150SD0	M3*15	F19	SS1103120SD0	M3*12
E32	SS4103160SD0	M3*16	F20	SS1103150MZ0	M3*15
E33	SS4103200SD0	M3*20	F21	SS1103160SD0	M3*16
E34	SS4103400SD1	M3*40	F22	SS1104050SD0	M4*5
E35	SS4103500SD1	M3*50	F23	SS1104060MZ0	M4*6
E36	SS4104040SD0	M4*4	F24	SS1104060SD0	M4*6
E37	SS4104050SD0	M4*5	F25	SS1104080MZ0	M4*8
E38	SS4104060MZ0	M4*6	F26	SS1104080SD0	M4*8
E39	SS4104060SD0	M4*6	F27	SS1104100MZ0	M4*10
E40	SS4104080SD0	M4*8	F28	SS1104100SD0	M4*10
E41	SS4104100SD0	M4*10	F29	SS1104120SD0	M4*12
E42	SS4104120SD0	M4*12	F30	SS1104140SD0	M4*14
E43	SS4104150SD0	M4*15	F31	SS1104150SD0	M4*15
E44	SS4104180SD0	M4*18	F32	SS1104200SD0	M4*20
E45	SS4104300SD0	M4*30	F33	SS1104220SD0	M4*22
E46	SS4104500SD0	M4*50	F34	SS1104250SD0	M4*25
E47	SS4104600SD1	M4*60	F35	SS1105060SD0	M5*6
E48	SS4105060SD0	M5*6	F36	SS1105080SD0	M5*8
E49	SS4105070SD0	M5*7	F37	SS1105100MZ0	M5*10
E50	SS4105080SD0	M5*8	F38	SS1105100SD0	M5*10
E51	SS4105100MZ0	M5*10	F39	SS1105120SD0	M5*12
E52	SS4105100SD0	M5*10	F40	SS1105150SD0	M5*15
E53	SS4105120SD0	M5*12	F41	SS1105300SD0	M5*30
E54	SS4105300SD1	M5*12	F42	SS1105350SD0	M5*35
E55	SS4105150SD0	M5*15	F43	SS1105400SD0	M5*40
E56	SS4105450SD1	M5*45	F44	SS1106150SC0	M6*15

F.G.H.J.K

No.	Part No.	Remark	No.	Part No.	Remark
F	Countersunk Head Screw		H30	SS0104065SD0	M4*6.5
F45	SS1106150SD0	M6*15	H31	SS0104080MZ0	M4*8
F46	SS1106350SD0	M6*35	H32	SS0104080SD0	M4*8
F47	SS1108120SD0	M8*12	H33	SS0104080MZ2	M4*8
F48	SS1108700TN0	M8*70	H34	SS0104100MZ0	M4*10
			H35	SS0104100SD0	M4*10
			H36	SS0104120SD0	M4*12
			H37	SS0104150SD0	M4*15
G	Round Countersunk Head Screw		H38	SS0104200SD0	M4*20
G1	SMC5000460CL	1/8*44*6	H39	SS0105050SD0	M5*5
G2	SMC5000530CL	9/64*40*3	H40	SS0105060SD0	M5*6
G3	SMC5000535CL	9/64*40*3.5	H41	SS0105065SD0	M5*6.5
G4	SMC5000540CL	9/64*40*4	H42	SS0105070SD0	M5*7
G5	SMC5000560CL	9/64*40*6	H43	SS0105080MZ0	M5*8
G6	SMC5000570CL	9/64*40*7	H44	SS0105080SD0	M5*8
G7	SMC5000595CL	9/64*40*9.5	H45	SS0105100MZ0	M5*10
G8	SMC50005C0CL	9/64*40*12	H46	SS0105100SD0	M5*10
			H47	SS0105120MZ0	M5*12
			H48	SS0105120SD0	M5*12
			H49	SS0105150SD0	M5*15
H	Truss Head Screw		H50	SS0105200SD0	M5*20
H1	SMF6016470CL	1/8*44*7	H51	SS0105250SD0	M5*25
H2	SMF8020530CL	9/64*40*3.5	H52	SS0105300SD0	M5*30
H3	SMF8020540CL	9/64*40*4	H53	SS0105350SD0	M5*35
H4	SME9510540CM	9/64*40*4	H54	SS0106080SD0	M6*8
H5	SMF8020560CL	9/64*40*6	H55	SS0106100SD0	M6*10
H6	SMF8020580CL	9/64*40*8	H56	SS0106220SD0	M6*22
H7	SS0175030MZ0	M2.5*3	H57	SS0106250SD0	M6*25
H8	SS0175030SD0	M2.5*3	H58	SS0106350SD0	M6*35
H9	SS0175040MZ0	M2.5*4	H59	SS0106400SD0	M6*40
H10	SS0175040SA0	M2.5*4			
H11	SS0175040SD0	M2.5*4			
H12	SS0103030MZ0	M3*3			
H13	SS0103030SD0	M3*3	J	Round Head Screw	
H14	SS0103040SD0	M3*4	J1	SS3102030MZ0	M2*3
H15	SS0103050MZ0	M3*5	J2	SS3103080SD0	M3*8
H16	SS0103050SD0	M3*5	J3	SS3103080SE0	M3*8
H17	SS0103060MZ0	M3*6	J4	SS3103100MZ0	M3*10
H18	SS0103060SD0	M3*6			
H19	SS0103060SA0	M3*6			
H20	SS0103080SD0	M3*8			
H21	SS0103080SA0	M3*8	K	Slotted Set Screw	
H22	SS0103100MZ0	M3*10	K1	SMK0000435CN	1/8*44*3.5
H23	SS0103100SD0	M3*10	K2	SMK0000560CN	9/64*40*6
H24	SS0103200SD0	M3*20	K3	SMK0000625CN	11/64*40*2.5
H25	SS0104040MZ0	M4*4	K4	SMK0000635CN	11/64*40*3.5
H26	SS0104050MZ0	M4*5	K5	SMK0000640CN	11/64*40*4
H27	SS0104050SD0	M4*5	K6	SMK0000650CN	11/64*40*5
H28	SS0104060MZ0	M4*6	K7	SMK0000A50CN	15/64*28*5
H29	SS0104060SD0	M4*6	K8	SMK0000AA0CN	15/64*28*10

K.L.M.N.P

No.	Part No.	Remark	No.	Part No.	Remark
K	Slotted Set Screw		L37	SS8208100TN0	M8*10
K9	SMK0000AF0CN	15/64*28*15	L38	SS8208150TN0	M8*15
K10	SMK0000AH0CN	15/64*28*17			
K11	SMK0000B40CN	1/4*40*4			
K12	SMK0000B45CN	1/4*40*4.5			
K13	SMK0000B50CN	1/4*40*5	M	Hexagon Socket Head Button Screw	
K14	SMK0000B60CN	1/4*40*6	M1	SS3203050SC0	M3*5
K15	SMK0000B80CN	1/4*40*8	M2	SS3204060SC0	M4*6
K16	SMK0000CC0CN	9/32*28*12	M3	SS3204080SC0	M4*8
K17	SS8005060TN0	M5*6	M4	SS3204080SD0	M4*8
			M5	SS3205100SC0	M5*10
			M6	SS3205100SD0	M5*10
L	Hexagon Socket Head Set Screw				
L1	SMJ0000425CN	1/8*44*2.5			
L2	SMJ0000430CN	1/8*44*3	N	Screw with Washer	
L3	SMJ0000690CN	11/64*28*9	N1	SSA003080000	M3*8
L4	SMJ0000640CN	11/64*40*4	N2	SSA003150000	M3*15
L5	SMJ0000660CN	11/64*40*6	N3	SSA003160000	M3*16
L6	SMJ0000680CN	11/64*40*8	N4	SSA003180000	M3*18
L7	SMJ0000A40CN	15/64*28*4	N5	SSA004080000	M4*8
L8	SMJ0000A90CN	15/64*28*9	N6	SSA004100000	M4*10
L9	SS8275030TN0	M2.5*3	N7	SSA004550000	M4*55
L10	SS8203020TN0	M3*2	N8	SSA005100000	M5*10
L11	SS8203030TN0	M3*3	N9	SSA005120000	M5*12
L12	SS8203040TN0	M3*4	N10	SSA005140000	M5*14
L13	SS8203050TN0	M3*5	N11	SSA005180000	M5*18
L14	SS8203060TN0	M3*6			
L15	SS8203080TN0	M3*8			
L16	SS8204030TN0	M4*3			
L17	SS8204040TN0	M4*4	P	Nut	
L18	SS8204050TN0	M4*5	P1	SMN046030CN0	1/8*44*6*3
L19	SS8204060TN0	M4*6	P2	SMN056020CL0	9/64*40*6*2
L20	SS8204060TN1	M4*6	P3	SMN056030CN0	9/64*40*6*3
L21	SS8204080TN0	M4*8	P4	SMN066020CN0	11/64*40*6*2
L22	SS8204100TN0	M4*10	P5	SMN066030CN0	11/64*40*6*3
L23	SS8204120TN0	M4*12	P6	SMN067030CN0	11/64*40*7*3
L24	SS8205040TN0	M5*4	P7	SMN167030CN0	11/64*40*7*3
L25	SS8205050TN0	M5*5	P8	SSN166XA0000	M1.6 Type 1
L26	SS8205060TN0	M5*6	P9	SSN002SD0000	M2 Type 1
L27	SS8205080TN0	M5*8	P10	SSN073SD0000	M2.3 Type 1
L28	SS8205100TN0	M5*10	P11	SSN075MZ0000	M2.5 Type 1
L29	SS8205120TN0	M5*12	P12	SSN003MZ0000	M3 Type 1
L30	SS8205150TN0	M5*15	P13	SSN003SC0000	M3 Type 1
L31	SS8206050TN0	M6*5	P14	SSN003SD0000	M3 Type 1
L32	SS8206060TN0	M6*6	P15	SSN403SD0000	M3 Thumbscrew Type 2
L33	SS8206080TN0	M6*8	P16	SSN203SC0000	M3 Type 3
L34	SS8206100TN0	M6*10	P17	SSN203SD0000	M3 Type 3
L35	SS8206180TN0	M6*18	P18	SSN285SC0000	M3.5 Type 3
L36	SS8208080TN0	M8*8	P19	SSN004SC0000	M4 Type 1

P.R

No.	Part No.	Remark	No.	Part No.	Remark
P	Nut		R22	WSP05A008SD0	Plain M5*10*0.8t
P20	SSN004SD0000	M4 Type 1	R23	WSP05C008MZ0	Plain M5*12*0.8t
P21	SSN204SC0000	M4 Type 3	R24	WSP05C008SC0	Plain M5*12*0.8t
P22	SSN204SD0000	M4 Type 3	R25	WSP05C008SD0	Plain M5*12*0.8t
P23	SSN005SC0000	M5 Type 1	R26	WSP06D010SC0	Plain M6*13*1.0t
P24	SSN005SD0000	M5 Type 1	R27	WSP06D010SD0	Plain M6*13*1.0t
P25	SSN205SC0000	M5 Type 3	R28	WSP06G010SC0	Plain M6*16*1.0t
P26	SSN205SD0000	M5 Type 3	R29	WSP08G012SD0	Plain M8*16*1.2t
P27	SSN605SD0000	M5 Cap Screw	R30	WSP08J016SC0	Plain M8*18*1.6t
P28	SSN006SC0000	M6 Type 1	R31	WSP08J016SD0	Plain M8*18*1.6t
P29	SSN006SC1000	M6 Type 1(Left)	R32	WSP08J032SC0	Plain M8*18*3.2t
P30	SSN006SD0000	M6 Type 1	R33	WSP08N032SC0	Plain M8*22*3.2t
P31	SSN006SD1000	M6 Type 1(Left)	R34	WSP10S032SC0	Plain M10*26*3.2t
P32	SSN206SC0000	M6 Type 3	R35	WSP12L520SC0	Plain M12*20.5*2t
P33	SSN008SC0000	M8 Type 1	R36	WSS020000KD0	Spring M2
P34	SSN008SD0000	M8 Type 1	R37	WSS760000KC0	Spring M2.6
P35	SSN208SC0000	M8 Type 3	R38	WSS030000KC0	Spring M3
P36	SSN208SD0000	M8 Type 3	R39	WSS030000KD0	Spring M3
P37	SSN010SC0000	M10 Type 1	R40	WSS850000KC0	Spring M3.5
P38	SSN710CD0000	M10 with Flange	R41	WSS040000KC0	Spring M4
P39	SSN710SC0000	M10 with Flange	R42	WSS040000KD0	Spring M4
P40	SSN012SC0000	M12 Type 1	R43	WSS050000KC0	Spring M5
P41	SSN212SC0000	M12 Type 3	R44	WSS050000KD0	Spring M5
P42	SSN216SC0000	M16 Type 3	R45	WSS050000MZ0	Spring M5
P43	SSN020SC0000	M20 Type 1	R46	WSS060000KC0	Spring M6
			R47	WSS060000KD0	Spring M6
			R48	WSS080000KC0	spring M8
			R49	WSS080000KD0	spring M8
R	Washer		R50	WSS100000KC0	Spring M10
R1	WSP640303MZ0	Plain M1.4*3*0.3t	R51	WSS120000KC0	Spring M12
R2	WSP023505XZ0	Plain M2*3.5*0.5t	R52	WSW04B003TP0	Wave M4
R3	WSP765005XB0	Plain M2.6*5*0.5t	R53	WSW05B003TN0	Wave M5
R4	WSP767505XB0	Plain M2.6*7.5*0.5t	R54	WSW06A503TN0	Wave M6
R5	WSP036003XZ0	Plain M3*6*0.3t	R55	WSL048505TP0	With teeth M4
R6	WSP036005SC0	Plain M3*6*0.5t	R56	WSL05A006TP0	With teeth M5
R7	WSP037005SD0	Plain M3*7*0.5t	R57	WSN080000SC0	Slant M8
R8	WSP038003SD0	Plain M3*8*0.3t	R58	WSC048005SC0	Disk Spring M4
R9	WSP038005MZ0	Plain M3*8*0.5t			
R10	WSP038005SC0	Plain M3*8*0.5t			
R11	WSP038005SD0	Plain M3*8*0.5t			
R12	WSP038100SD0	Plain M3*8*1t			
R13	WSP048005SC0	Plain M4*8*0.5t			
R14	WSP048005SD0	Plain M4*8*0.5t			
R15	WSP048008SC0	Plain M4*8*0.8t			
R16	WSP048008SD0	Plain M4*8*0.8t			
R17	WSP04A008MZ0	Plain M4*10*0.8t			
R18	WSP04A008SC0	Plain M4*10*0.8t			
R19	WSP04A008SD0	Plain M4*10*0.8t			
R20	WSP04C010SC0	Plain M4*12*1t			
R21	WSP05A008SC0	Plain M5*10*0.8t			

1st Edition (2001.07) July, 2001
1st Revision (2001.10) October, 2001

■ **Manufactured by:**
Tokai Industrial Sewing Machine Co., Ltd.

NO.1800, Ushiyama-cho, Kasugai, Aichi-pre., 486-0901, Japan
Telephone:568-33-1161 Fax:568-33-1191

■ **Distributed by:**
Tajima Industries Ltd.

19-22, Shirakabe, 3-chome, Higashi-ku, Nagoya, 461-0011, Japan
Telephone:52-932-3444 Fax:52-932-2457

■ **Authorized Distributor:**

